

# LAMAX

ELECTRONICS

---

## LAMAX X7.2

ACTION CAMERA



**EN – User Manual**

**DE – Benutzerhandbuch**

**CS – Uživatelská příručka**

**SK – Uživatelská príručka**

**PL – Instrukcja obsługi**

**HU – Használati útmutató**

**SL – Uporabniški priročnik**

**HR – Korisnički priručnik**

# LAMAX

ELECTRONICS

---

# LAMAX X7.2

ACTION CAMERA



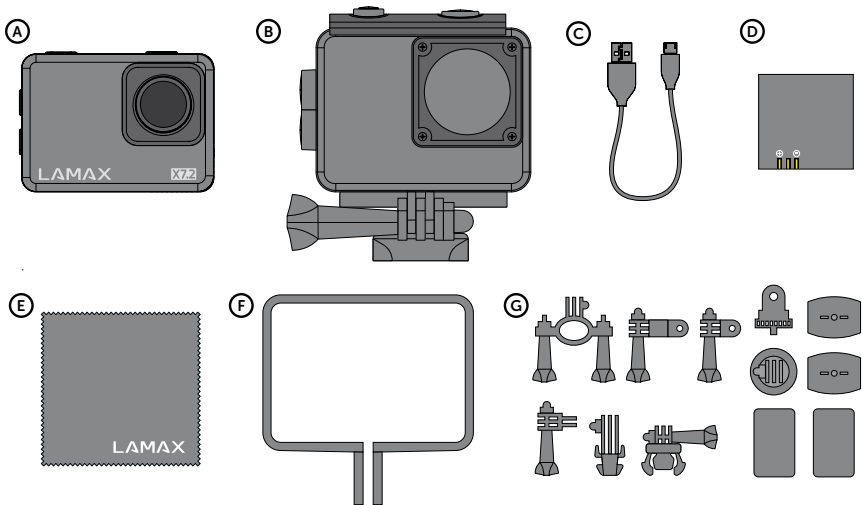
---

## CONTENTS

1. BOX CONTENTS .....	2
2. GETTING TO KNOW THE CAMERA.....	3
3. CAMERA CONTROLS .....	4
4. POWERING ON FOR THE FIRST TIME .....	4
5. VIDEO MODE SETTINGS.....	5
6. PHOTO MODE SETTINGS.....	5
7. CAMERA SETTINGS .....	6
8. WIFI – SMARTPHONE APPLICATION.....	7
9. WATER RESISTANCE .....	7
10. SAFETY PRECAUTIONS .....	8

---

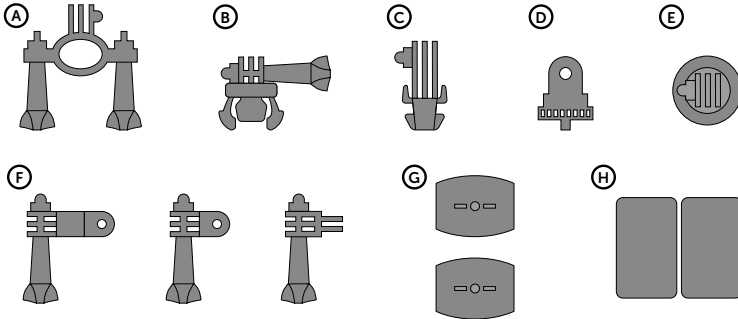
### 1. BOX CONTENTS



- A** LAMAX X7.2 action camera
- B** Case waterproof up to 40 m
- C** Micro USB cable for charging / file transfer
- D** Li-ion battery

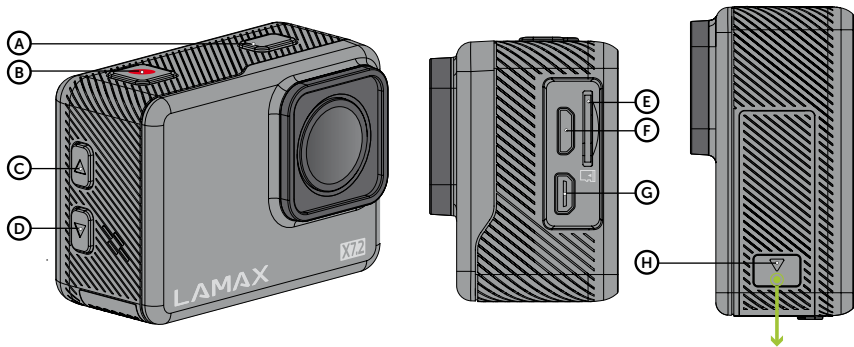
- E** Microfibre cloth
- F** Frame
- G** Mounts

## MOUNTS



- Ⓐ Pole mount – for attaching to handlebars
- Ⓑ Fast plug-in – for quickly snapping into the mount
- Ⓒ J mount – for quick snap-in with elevation
- Ⓓ Thread adapter – for connecting the camera without the case
- Ⓔ Tripod adapter – for connecting the camera in the case
- Ⓕ 3-axis connector – for mounting in any direction
- Ⓖ 2× self-adhesive mount – for attaching to a smooth surface (helmet, bonnet)
- Ⓗ 2× spare 3M pads – for reattaching the self-adhesive mount

## 2. GETTING TO KNOW THE CAMERA



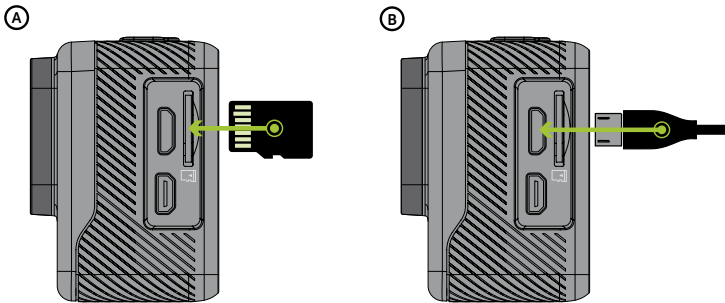
- Ⓐ POWER / MODE button
- Ⓑ REC / OK button
- Ⓒ UP button
- Ⓓ DOWN button
- Ⓔ Memory card slot
- Ⓕ Micro USB port
- Ⓖ Video out
- Ⓗ Battery door

**Note:** Use only recommended accessories, otherwise the camera may be damaged.

### 3. CAMERA CONTROLS

<b>Power on / off</b>	Hold the POWER / MODE button
<b>Start / stop recording</b>	Press the REC / OK button
<b>Switch modes</b>	Press the POWER / MODE button
<b>Enable / disable audio recording</b>	Press the UP button
<b>Quick menu</b>	Hold the REC / OK button
<b>Turn WiFi on / off</b>	Press the DOWN button

### 4. POWERING ON FOR THE FIRST TIME



#### Ⓐ INSERT THE MICRO SD CARD INTO THE CAMERA AS SHOWN (CONNECTORS FACING THE LENS)

- Insert the card only when the camera is turned off and not connected to a computer.
- Format the card directly in the camera the first time you use it.
- We recommend memory cards with a high write speed (UHS Speed Class – U3 and higher) and a maximum capacity of 128 GB.

**Note:** Use only Micro SDHC or SDXC cards from reputable manufacturers. Cards from non-branded manufacturers are not guaranteed to function properly for data storage.

#### Ⓑ CONNECT THE CAMERA TO A POWER SOURCE

- Charge the camera either by connecting it to a computer or by using the optional AC adapter.
- Fully charge the battery before first use.
- It takes approximately 4 hours to charge the battery from 0 to 100 %. After charging, the charging indicator turns off.

**Note:** Charging the battery from 0 to 80 % takes 2.5 hours.

## 5. VIDEO MODE SETTINGS

<b>Video resolution</b>	Adjusts the resolution and FPS (frames per second) at which the camera will record.
<b>Image stabilisation</b>	Enables/disables MAXsmooth stabilisation, which is available in all resolutions at a maximum of 60 FPS. With stabilisation on, the field of view (FOV) is smaller and can also negatively affect video quality in low light conditions. Cannot be combined with the fisheye correction function.
<b>Audio recording</b>	Sets whether the camera should record audio.
<b>Wind noise reduction</b>	Function to improve the audio quality in strong wind.
<b>Exposure</b>	Adjusts the exposure compensation. A higher value means brighter video, and a lower value means darker video.
<b>Metering</b>	Sets the exposure metering method. There are two modes to choose from: <ul style="list-style-type: none"><li>› <b>Centre</b> – This setting is suitable for shooting objects that will mainly be in the centre of the frame.</li><li>› <b>Average</b> – In this setting, the camera gets light information from the whole scene and sets the average value.</li></ul>
<b>Date stamp</b>	Enables/disables embedding of date and time in recorded video.

## 6. PHOTO MODE SETTINGS

<b>Photo resolution</b>	Sets the resolution of captured photos.
<b>Image quality</b>	Adjusts the quality of the photo. The resulting settings will also affect the size of the saved files.
<b>ISO</b>	Sets the ISO value. The ISO setting will determine the sensitivity to light. The higher the value, the brighter the image.
<b>Exposure</b>	Adjusts the exposure compensation. A higher value means a brighter photo, and a lower value means a darker photo.
<b>Metering</b>	Sets the exposure metering method. There are two modes to choose from: <ul style="list-style-type: none"><li>› <b>Centre</b> – This setting is suitable for shooting objects that will mainly be in the centre of the frame.</li><li>› <b>Average</b> – In this setting, the camera gets light information from the whole scene and sets the average value.</li></ul>
<b>Date stamp</b>	Enables/disables embedding of date and time in the captured photo.

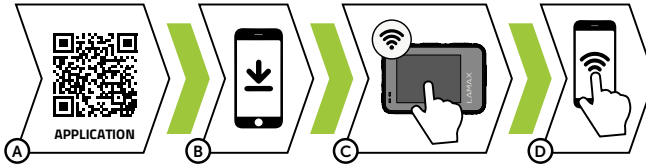
## 7. CAMERA SETTINGS

---

<b>Network frequency</b>	Allows you to select a frequency in accordance with the frequency of the power grid (on the European continent the mains current is 50 Hz, in America and parts of Asia it is 60 Hz).
<b>Sounds</b>	Enables/disables camera system sounds and adjusts their volume.
<b>Angle</b>	Sets the camera angle.
<b>Diving mode</b>	Turns the diving mode on/off. When the mode is on, the camera equalises the colouration of underwater shots.
<b>Effect</b>	Adjusts the colour modes.
<b>LDC</b>	Fisheye reduction.
<b>Driving mode</b>	Activates automatic recording immediately after the camera is turned on.
<b>Microphone</b>	Choice between built-in and external microphone. For the external microphone to work, it needs to be plugged into the micro USB port.
<b>Image rotation</b>	Adjusts the image rotation by 180°.
<b>Screen saver</b>	Sets the time after which the display automatically turns off to save battery. Touch the display or press the buttons to reactivate the display.
<b>Auto power off</b>	Sets the camera to turn off automatically during periods of inactivity. When enabled, the function turns off the camera when it is not recording video.
<b>Frequency</b>	Allows you to select a frequency in accordance with the frequency of the power grid (on the European continent the mains current is 50 Hz, in America and parts of Asia it is 60 Hz).
<b>White balance</b>	Adjust the white balance for different ways of lighting the scene.
<b>Date and time</b>	Sets the system date and time.
<b>Language</b>	Selects system language.
<b>Format the card</b>	Erases all data on the memory card.
<b>System</b>	Accesses camera firmware information and memory card information, and can also restore the camera to factory settings.

---

## 8. WIFI – SMARTPHONE APPLICATION



With the mobile app, you will be able to change camera modes and settings or view and download recorded videos and photos directly to your mobile device.

- (A) Scan the QR code to download the app or click the following link:  
<https://www.lamax-electronics.com/x72/app/>
- (B) Install the app on your mobile device.
- (C) Turn on the WiFi in the camera by pressing the DOWN button.
- (D) On your mobile device, connect to the WiFi network with the camera name. The WiFi password is displayed on the camera (default: 1234567890).

## 9. WATER RESISTANCE

**Resistance to immersion in water is guaranteed under the following conditions:**

### **ACTION CAMERA:**

The camera is waterproof only when placed in a waterproof case.

### **WATERPROOF CASE:**

The case can withstand immersion to a depth of 40 metres. Before using the camera inside the case, make sure to close the case's rear door properly using the mechanism on the top of the case. The door and seal must be free of all debris such as dust, sand, etc. When using in salt water, rinse the case down afterwards with fresh water. Do not use any textile cloths or external heat sources (hair dryer, microwave, etc.) to dry the case and always allow it to dry slowly. When using a waterproof case, the touchscreen of the camera cannot be used and the camera must be operated using the buttons.

### **REMOTE CONTROL:**

Not waterproof.



## 10. SAFETY PRECAUTIONS

**The consumer is required to learn the principles of safe use of the product before first use.**

### PRECAUTIONS AND NOTICES

- For your own safety, do not use the camera's controls while driving.
- A window mount is needed when using the recorder in a car. Make sure that you place the recorder in an appropriate place, so as not to obstruct the driver's view or deployment of airbags.
- Make sure that no object is blocking the camera lens and no reflective material is placed near the lens. Please keep the lens clean.
- If the car's windshield is tinted or coated, it may impact the recording quality.

### SAFETY PRECAUTIONS

- Do not use the charger in high moisture environment. Never touch the charger when your hands or feet are wet.
- Allow adequate ventilation around the charger when using it to operate the device or to charge the battery. Do not cover the charger with paper or other objects that will reduce cooling. Do not use the charger while it is inside a carrying case.
- Connect the charger to a proper power source. The voltage requirements are found on the product case and/or on the packaging.
- Do not use the charger if it is visibly damaged. In case of damage, do not repair the equipment yourself!
- In case of device overheating, immediately disconnect the power source.
- Charge the device under supervision only.
- Packaging contains small pieces, that can be dangerous for children. Store the product always out of reach of children. Bags or many of the pieces containing may cause suffocation after swallowing.

### SAFETY NOTICES FOR LI-ION BATTERIES


- Before first use, fully charge the battery.
- For charging only use chargers, that is specified for this type of battery.
- Use standard cables for charging, otherwise it could damage the device.
- Never connect to a mechanically damaged charger or if the batteries are swollen. Do not use batteries in this condition due to risk of explosion.
- Do not use any damaged adapter or charger.
- Charge at room temperature, never charge at a temperature below 0°C or at a temperature higher than 40°C.
- Avoid dropping the battery, don't puncture, or mutilate it. Definitely do not attempt to repair a damaged battery.
- Do not expose the charger or battery to moisture, water, rain, snow or any kind of various liquids.
- Do not leave the battery in the car, do not expose to direct sunlight and do not place it near heat sources. Strong light or high temperatures can damage the battery.
- Never leave batteries without supervision during charging, short circuit or accidentally overcharge. Some batteries are unsuitable for fast charging or being charged excessively. This can cause a shock, or due to charger failure, may cause leakage of aggressive chemicals, explosion or subsequent fire!
- In the case of excessive heating of the battery during charging, immediately disconnect it from the power supply.
- Do not place charger and charging battery on or near flammable objects. Beware of curtains, carpets, tablecloths etc.
- Once the battery or device with integrated battery is fully charged, disconnect it from the power supply.
- Keep the battery out of the reach of children and animals.
- Never disassemble the charger or battery. If the battery is integrated, do not disassemble the device, unless stated otherwise. Any such attempt is dangerous and can cause injury or damage to the product and subsequent loss of warranty.

- Do not dispose worn or damaged batteries into the trash, fire or into heating devices, but hand them in at collection points for hazardous waste.

## CARING FOR YOUR DEVICE

- Taking good care of your device will ensure trouble-free operation and reduce the risk of damage.
- Keep your device away from excessive moisture and extreme temperatures and avoid exposing your device to direct sunlight or strong ultraviolet light for extended periods of time.
- Do not drop your device or subject it to severe shock.
- Do not subject your device to sudden and severe temperature changes. This could cause moisture condensation inside the unit, which could damage your device. In the event of moisture condensation, allow the device to dry out completely before use.
- The screen surface can easily be scratched. Avoid touching it with sharp objects.
- Never clean your device when it is powered on. Use a soft, lint-free cloth to wipe the screen and the exterior of your device. Do not use paper towels to clean the screen.
- Never attempt to disassemble, repair or make any modifications to your device. Disassembly, modification or any attempt at repair could cause damage to your device and even bodily injury or property damage and will void any warranty.
- Do not store or carry flammable liquids, gases or explosive materials in the same compartment as your device, its parts or accessories.
- To discourage theft, do not leave the device and accessories in plain view in an unattended vehicle.
- Overheating may damage the device.
- In the case of contact with heavily chlorinated water or sea water, rinse the camera and all used accessories, in drinking water and dry it.
- Do not use an external heat source such as a microwave oven or hair dryer to dry the camera.
- Always make sure that the battery door or the power port door is not ajar before swimming or diving. If they are, close them. Otherwise, the camera will not remain watertight.
- Wipe the touchscreen only with a cloth designed for the purpose and avoid scratching.

## OTHER INFORMATION

1) For households: This marking indicates  that this product should not be disposed with other household wastes throughout the EU. To prevent possible harm to the environment or human health from uncontrolled waste disposal, recycle it responsibly to promote the sustainable reuse of material resources. To return your used device, please use the return and collection systems or contact the retailer where the product was purchased. They can take this product for environmental safe recycling. In case of incorrect disposal of this kind of wastes user can be fined according to national laws. User information for disposal of electric and electronic devices in countries outside the EU: The symbol stated above (crossed recycle bin) is valid only in countries in European Union. For correct disposal of electric and electronic devices ask your city hall or distributor of these devices. Everything is expressed by the symbol of crossed recycle bin on product, cover or printed materials.

2) You can determine a warranty service at the place of purchase. In case of technical problems or queries contact your dealer who will inform you about the following procedure. Follow the rules for work with electric devices. User is not allowed to disassembly the device neither replace any of its components. To reduce the risk of electric shock, do not remove or open the cover. In case of incorrect setup and plug in of device you will expose yourself risk of electric shock.

The warranty period for products is 24 months, unless otherwise stated. The warranty does not cover damage caused by non-standard use, mechanical damage, exposure to extreme conditions, handling contrary to the manual or normal wear and tear. The warranty period for the battery is 24 months, and for its capacitor 6 months. For more information on the warranty, please visit [www.elem6.com/warranty](http://www.elem6.com/warranty)

The manufacturer, importer or distributor shall not be liable for any damage caused by the installation or improper use of the product.

## EU DECLARATION OF CONFORMITY

elem6 s.r.o. hereby declares that LAMAX X7.2 are in compliance with the requirements and other relevant provisions of Directive 2014/30/EU and 2014/53/EU. The all LAMAX products are intended for sale without restrictions in Germany, the Czech Republic, Slovakia, Poland, Hungary and other EU member states. The declaration of conformity can be downloaded from <https://www.lamax-electronics.com/support/doc/>

- › Frequency band in which the radio equipment operates: 2.41–2.475 GHz
- › Maximum radio-frequency power transmitted in the frequency band in which the radio equipment operates: 6 dBi

### MANUFACTURER:

elem6 s.r.o., Braškovská 308/158, 161 00 Praha 6  
[www.lamax-electronics.com](http://www.lamax-electronics.com)



**Misprints and changes in the manual are reserved.**

# LAMAX

ELECTRONICS

---

# LAMAX X7.2

ACTION CAMERA



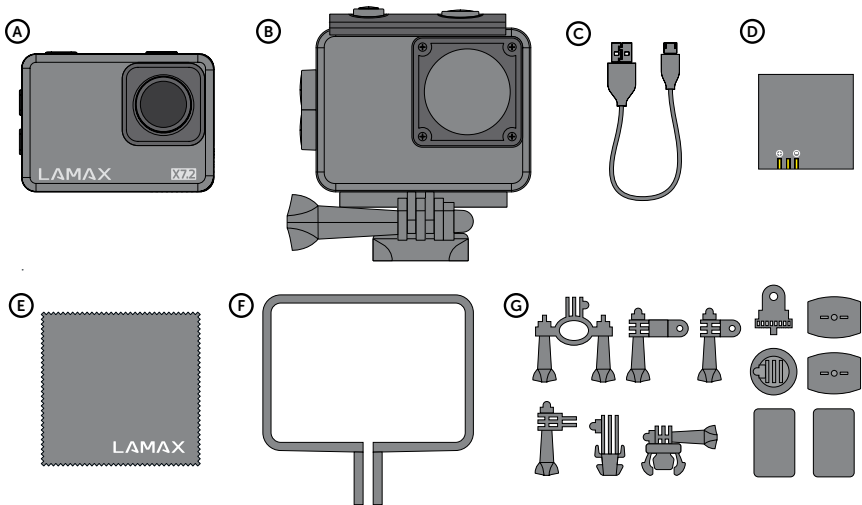
---

## INHALT

1. VERPACKUNGSIHALT .....	2
2. KAMERA KENNENLERNEN .....	3
3. KAMERA BEDIENEN .....	4
4. ERSTES EINSCHALTEN .....	4
5. EINSTELLUNGEN IM VIDEOMODUS.....	5
6. EINSTELLUNGEN IM FOTOMODUS .....	5
7. KAMERAEinstellungen .....	6
8. WIFI – MOBILE APP.....	7
9. WASSERDICHTHEIT.....	7
10. SICHERHEITSMASSNAHMEN.....	8

---

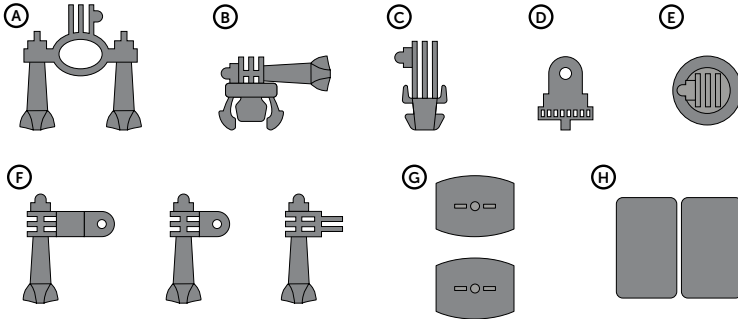
## 1. VERPACKUNGSIHALT



- Ⓐ Action-Kamera LAMAX X7.2
- Ⓑ Wasserdichte Hülle bis 40 m
- Ⓒ Micro-USB-Kabel zum Aufladen / Übertragen von Dateien
- Ⓓ Li-Ion Batterie

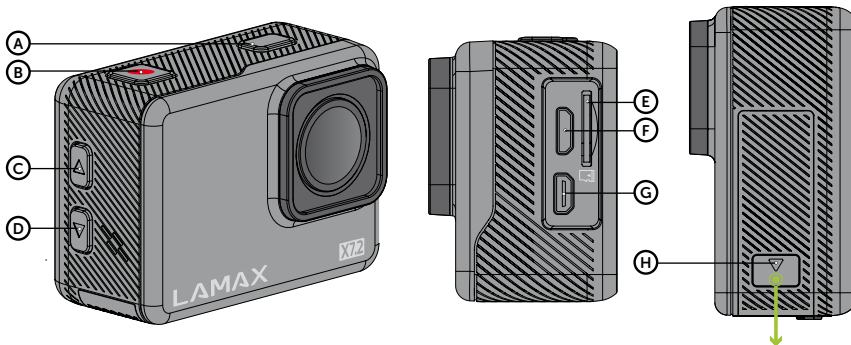
- Ⓔ Mikrofaser Tuch
- Ⓕ Rahmen
- Ⓖ Halterungen

## HALTERUNGEN



- Ⓐ Halterung für Stangen – z.B. zur Befestigung am Lenker
- Ⓑ Fast plug-in – für schnelles Einrasten der Halterung
- Ⓒ J-mount – für schnelles Einrasten mit Erhöhung
- Ⓓ Stativreduktion – für den Anschluss der Kamera ohne Hülle
- Ⓔ Stativadapter – für den Anschluss der Kamera in der Hülle an das Stativ
- Ⓕ 3-Axis Connector (3 Teile) – zur Befestigung in beliebiger Richtung
- Ⓖ Selbstklebende Halterung 2x – zur Montage auf glatten Oberflächen (Helm, Haube)
- Ⓗ Ersatz-3M-Aufkleber (2x) – zum Wiederanbringen der selbstklebenden Halterung

## 2. KAMERA KENNENLERNEN



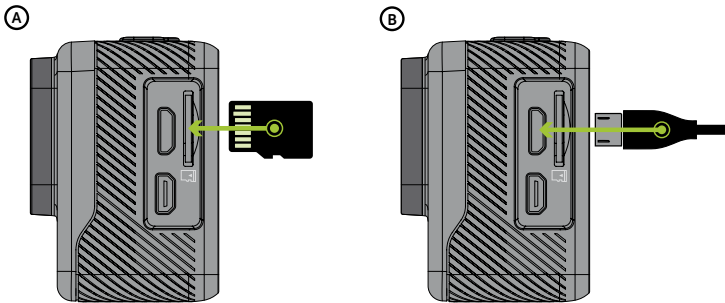
- Ⓐ POWER / MODE Taste
- Ⓑ REC / OK Taste
- Ⓒ AUF-Taste
- Ⓓ AB-Taste
- Ⓔ Steckplatz für Speicherkarte
- Ⓕ Micro-USB-Anschluss
- Ⓖ Video out
- Ⓗ Batteriefachtür

**Hinweis:** Verwenden Sie nur das empfohlene Zubehör, da die Kamera sonst beschädigt werden kann.

### 3. KAMERA BEDIENEN

<b>Ein- und Ausschalten</b>	Gedrückthalten der POWER / MODE Taste
<b>Aufnahme starten / stoppen</b>	Drücken der REC / OK Taste
<b>Modus wechseln</b>	Drücken der POWER / MODE Taste
<b>Audioaufzeichnung ein-/ausschalten</b>	Drücken der AUF-Taste
<b>Schnelles Menü</b>	Gedrückthalten der REC / OK Taste
<b>WiFi ein-/ausschalten</b>	Drücken der AB-Taste

### 4. ERSTES EINSCHALTEN



#### **(A) DIE MICROSD-KARTE WIE ABGEBILDET IN DIE KAMERA EINSETZEN (DIE ANSCHLÜSSE ZEIGEN ZUM OBJEKTIV)**

- › Setzen Sie die Karte nur ein, wenn die Kamera ausgeschaltet und nicht an den Computer angeschlossen ist.
- › Formatieren Sie die Karte direkt in der Kamera, wenn Sie sie zum ersten Mal verwenden.
- › Wir empfehlen Speicherkarten mit höheren Schreibgeschwindigkeiten (UHS Speed Class -U3 und höher) und einer maximalen Kapazität von 128 GB.

**Hinweis:** Verwenden Sie nur Micro SDHC- oder SDXC-Karten von namhaften Herstellern. Karten der Nicht-Markenproduzenten gewährleisten keine richtige Funktion des Datenspeicherplatzes.

#### **(B) KAMERA AN DIE STROMVERSORGUNG ANSCHLIESSEN**

- › Sie können die Kamera entweder durch Anschluss an einen Computer oder mit dem optionalen Netzteil aufladen.
- › Laden Sie die Batterie vor dem ersten Gebrauch vollständig auf.
- › Es dauert etwa 4 Stunden, um die Batterie von 0 auf 100 % aufzuladen. Nach dem Aufladen erlischt die Ladeanzeige.

**Hinweis:** Das Aufladen der Batterie von 0 auf 80 % dauert 2,5 Stunden.

## 5. EINSTELLUNGEN IM VIDEOMODUS

<b>Bildstabilisierung</b>	Aktivieren/Deaktivieren der MAXsmooth-Stabilisierung, die in allen Auflösungen mit maximal 60 Bildern pro Sekunde verfügbar ist. Bei aktivierter Stabilisierung ist der Aufnahmewinkel kleiner, was sich bei schlechten Lichtverhältnissen negativ auf die Videoqualität auswirken kann. Kann nicht mit der Funktion Fischaugen-Korrektur kombiniert werden.
<b>Tonaufnahme</b>	Legen Sie fest, ob die Kamera Ton aufzeichnen soll.
<b>Windgeräuschunterdrückung</b>	Diese Funktion verbessert die Tonaufnahme bei starkem Wind.
<b>Belichtung</b>	Einstellung der Belichtungskorrektur Ein höherer Wert bedeutet ein helleres Video, ein niedrigerer Wert bedeutet ein dunkleres Video.
<b>Messung</b>	Einstellung der Belichtungsmessmethode. Es stehen zwei Modi zur Auswahl: „Mitte“ und „Durchschnitt“. <ul style="list-style-type: none"><li>› <b>Mitte</b> – Diese Einstellung eignet sich für die Aufnahme von Objekten, die sich überwiegend in der Mitte des Bildes befinden.</li><li>› <b>Durchschnitt</b> – Bei dieser Einstellung holt sich die Kamera die Lichtinformationen aus der gesamten Szene und legt die Durchschnittswerte fest.</li></ul>
<b>Datum im Video</b>	Schaltet das Einfügen von Datum und Uhrzeit in das aufgezeichnete Video ein/aus.

## 6. EINSTELLUNGEN IM FOTOMODUS

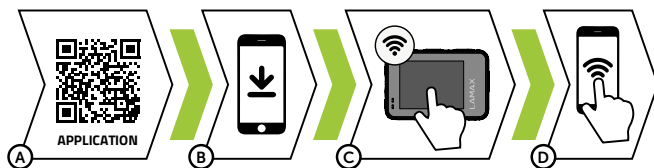
<b>Bildauflösung</b>	Einstellung der Auflösung der aufgenommenen Fotos.
<b>Bildqualität</b>	Einstellungen für die Bildqualität. Die resultierende Einstellung wirkt sich auch auf die Größe der gespeicherten Dateien aus.
<b>ISO</b>	Einstellung des ISO-Wertes. Die ISO-Einstellung bestimmt die Lichtempfindlichkeit. Je höher der Wert, desto heller ist das Bild.
<b>Belichtung</b>	Einstellung der Belichtungskorrektur Ein höherer Wert bedeutet ein helleres Foto, ein niedrigerer Wert bedeutet ein dunkleres Foto.
<b>Messung</b>	Einstellung der Belichtungsmessmethode. Es stehen zwei Modi zur Auswahl: „Mitte“ und „Durchschnitt“. <ul style="list-style-type: none"><li>› <b>Mitte</b> – Diese Einstellung eignet sich für die Aufnahme von Objekten, die sich überwiegend in der Mitte des Bildes befinden.</li><li>› <b>Durchschnitt</b> – Bei dieser Einstellung holt sich die Kamera die Lichtinformationen aus der gesamten Szene und legt die Durchschnittswerte fest.</li></ul>
<b>Datum</b>	Schaltet das Einfügen von Datum und Uhrzeit in das aufgenommene Foto ein/aus.



## 7. KAMERA-EINSTELLUNGEN

<b>Netzfrequenz</b>	Ermöglicht die Auswahl einer Frequenz in Übereinstimmung mit der Frequenz des Stromnetzes (auf dem europäischen Kontinent beträgt der Strom im Netz 50 Hz, in Amerika und Teilen Asiens 60 Hz).
<b>Klänge</b>	Ein-/Ausschalten der Systemklänge der Kamera und deren Lautstärke.
<b>Winkel</b>	Einstellen des Aufnahmewinkels der Kamera.
<b>Tauchmodus</b>	Ein-/Ausschalten des Tauchmodus. Wenn dieser Modus aktiviert ist, kompensiert die Kamera die Färbung von Unterwasseraufnahmen.
<b>Effekt</b>	Farbmodus-Einstellungen.
<b>LDC</b>	Fischaugen-Korrektur.
<b>Fahrmodus</b>	Der Fahrmodus aktiviert die automatische Aufnahme unmittelbar nach dem Einschalten der Kamera.
<b>Mikrofon</b>	Wahlmöglichkeit zwischen eingebautem und externem Mikrofon. Damit das externe Mikrofon funktioniert, muss es in den Micro-USB-Anschluss eingesteckt werden.
<b>Bild drehen</b>	Einstellung der Bildrotation um 180°.
<b>Bildschirmschoner</b>	Legt die Zeit fest, nach der sich das Display automatisch abschaltet, um die Batterie zu schonen. Berühren Sie das Display oder drücken Sie die Tasten, um das Display wieder zu aktivieren.
<b>Automatische Abschaltung</b>	Einstellen, dass sich die Kamera bei Nichtgebrauch automatisch ausschaltet. Aktivierte Funktion schaltet die Kamera aus, wenn sie kein Video aufnimmt.
<b>Frequenz</b>	Ermöglicht die Auswahl einer Frequenz in Übereinstimmung mit der Frequenz des Stromnetzes (auf dem europäischen Kontinent beträgt der Strom im Netz 50 Hz, in Amerika und Teilen Asiens 60 Hz).
<b>Weißabgleich</b>	Stellen Sie den Weißabgleich für verschiedene Beleuchtungsarten der Szene ein.
<b>Datum und Uhrzeit</b>	Einstellen des Systemdatums und der Uhrzeit.
<b>Sprache</b>	Auswahl der Sprache.
<b>Karte formatieren</b>	Löschen aller Daten auf der Speicherkarte.
<b>System</b>	Ermöglicht den Zugriff auf die Firmware-Informationen der Kamera, Informationen zur Speicherkarte und das Zurücksetzen der Kamera auf die Werkseinstellungen.

## 8. WIFI – MOBILE APP



Mit der mobilen App können Sie Kameramodi und -einstellungen ändern oder aufgenommene Videos und Fotos direkt auf Ihr Mobilgerät ansehen und herunterladen.

- (A) Scannen Sie den QR-Code, um die App herunterzuladen, oder klicken Sie auf den folgenden Link:  
<https://www.lamax-electronics.com/x72/app/>
- (B) Installieren Sie die App auf Ihrem mobilen Gerät.
- (C) Schalten Sie WiFi auf der Kamera ein, indem Sie die AB-Taste drücken.
- (D) Stellen Sie auf Ihrem Mobilgerät eine Verbindung zum WiFi-Netzwerk mit dem Namen der Kamera her. Das WiFi-Passwort wird auf dem Kameradisplay angezeigt (werkseitig 1234567890).

## 9. WASSERDICHTHEIT

**Die Beständigkeit gegen das Eintauchen in Wasser ist unter den folgenden Bedingungen erfüllt:**

### ACTION-KAMERA:

Die Kamera ist nur wasserdicht, wenn sie in einer wasserdichten Hülle untergebracht ist.

### WASSERDICHTE HÜLLE:

Die Hülle ist bis zu einer Tiefe von 40 Metern tauchfest. Vergewissern Sie sich vor der Verwendung der Kamera in der Hülle, dass die hintere Tür der Hülle mit dem Mechanismus auf der Oberseite der Hülle richtig geschlossen ist. Die Tür und die Dichtung der Hülle müssen frei von Schmutz wie Staub, Sand usw. sein. Bei Verwendung in Salzwasser ist die Hülle mit Trinkwasser abzuspuhlen. Verwenden Sie zum Trocknen der Hülle keine Textilien oder externe Wärmequellen (Haartrockner, Mikrowelle usw.), lassen Sie die Hülle immer langsam trocknen. Bei Verwendung einer wasserdichten Hülle kann der Touchscreen der Kamera nicht verwendet werden und die Kamera muss über die Tasten bedient werden.

### FERNBEDIENUNG:

Nicht wasserdicht.

## 10. SICHERHEITSMASSNAHMEN

**Der Kunde verpflichtet sich zuerst den sicheren Gebrauch des Produktes zu aus der Bedienungsanleitung zu erlernen.**

### WARNUNGEN, INFORMATIONEN UND SICHERHEITSMASSNAHMEN

- Aus Sicherheitszwecken bedienen Sie die Kamera nicht während sie ein Fahrzeug führen.
- Wenn Sie die Kamera im Auto benutzen möchten ist eine Saugnapfhalterung nötig. Die Kamera muss an einer geeigneten Stelle angebracht werden um die Sicht des Fahrers nicht zu behindern und Sicherheitsrelevante Systeme wie Airbags nicht zu behindern oder zu stören.
- Das Objektiv der Kamera darf nicht verdeckt sein und in der Nähe sollten sich keine reflektierenden Materialien befinden. Halten Sie das Objektiv sauber.
- Wenn die Windschutzscheibe mit einer reflektierenden Schicht verfärbt ist kann die Qualität der Videoaufnahme niedriger sein.

### SICHERHEITSHINWEISE

- Ladegerät nicht in sehr feuchter Umgebung benutzen. Fassen Sie das Gerät nie an wenn Sie nasse Hände oder im Wasser stehen.
- Wenn das Gerät geladen oder mit Strom versorgt wird oder lassen Sie genügend Abstand zu anderen Gegenständen um ein ausreichende Lüftung zu gewährleisten. Decken Sie das Ladegerät nicht mit Papieren oder anderen Materialien zu um die Kühlung nicht zu behindern. Benutzen Sie das Ladegerät nicht in der Verpackung.
- Das Ladegerät immer an die richtige Netzspannung anschließen. Einspeise Spannung finden Sie auf dem Gerät oder auf der Verpackung.
- Ladegerät nicht benutzen wenn es augenscheinlich beschädigt ist. Versuchen Sie das Gerät nicht selber reparieren.
- Wenn das Gerät zu heiß werden sollte, sofort von der Stromzufuhr trennen.
- Der Packungsinhalt beinhaltet kleine Teile, die eine Gefahr für Kinder darstellen können. Bewahren Sie das Produkt stets außerhalb der Reichweite von Kindern auf. Die Verpackung und Enthaltene Kleinteile können bei Verschlucken eine Erstickungsgefahr darstellen.

### SICHERHEITSHINWEISE ZU LITHIUM-IONEN-AKKUS


- Laden Sie vor der ersten Verwendung den Akku vollständig auf.
- Verwenden Sie zum Laden nur Ladegeräte, welche für diesen Gerätetyp bestimmt sind.
- Verwenden Sie nur zugelassene Ladekabel, ansonsten riskieren Sie eine Beschädigung des Geräts.
- Laden Sie das Gerät niemals, wenn es beschädigt ist, oder der Akku angeschwollen ist. Verwenden Sie niemals beschädigte Akkus, da sonst Explosionsgefahr besteht.
- Verwenden Sie niemals beschädigte Ladegeräte, oder Ladeadapter.
- Laden Sie das Gerät bei Raumtemperatur, niemals bei unter 0°C, oder bei über 40°C.
- Lassen Sie den Akku niemals fallen, versuchen Sie niemals den Akku zu öffnen oder zu verändern. Versuchen Sie niemals einen beschädigten Akku zu reparieren.
- Bringen Sie den Akku niemals in Kontakt mit Feuchtigkeit, Wasser, Regen, Schnee, oder jeglicher Form von Flüssigkeit.
- Lassen Sie den Akku niemals unbeaufsichtigt im Auto, oder setzen ihn direkter Sonneneinstrahlung bzw. übermäßiger Hitze aus. Bei übermäßiger Sonneneinstrahlung oder Hitzeeinwirkung kann es zu Beschädigungen kommen und es besteht Explosionsgefahr.
- Lassen Sie den Akku während des Ladevorgangs niemals unbeaufsichtigt, schließen Sie den Akku niemals kurz oder überladen ihn. Akkus die unsachgemäß geladen werden, oder während des Ladevorgangs Stößen ausgesetzt sind, können auslaufen und gefährliche Chemikalien freisetzen die zu Verätzungen oder sogar Feuer führen können.
- Trennen Sie bei Auftreten von übermäßiger Hitze den Akku umgehend vom Ladegerät und verwenden Sie diesen nicht mehr.

- Verwenden Sie das Ladegerät und den ladenden Akku niemals in der Nähe von brennbaren Objekten wie z.B. Vorhängen, Tischdecken, etc.
- Nachdem der Akku vollständig aufgeladen ist, trennen Sie diesen aus Sicherheitsgründen vom Ladegerät.
- Bewahren Sie den Akku stets außerhalb der Reichweite von Kindern oder Tieren auf.
- Nehmen Sie das Ladegerät oder den Akku niemals auseinander. Falls der Akku im Gerät integriert ist, versuchen Sie niemals den Akku aus dem Gerät zu entfernen oder auszubauen. Zusätzlich zu den oben beschriebenen Gefahren verfällt hierdurch auch die Garantie Ihres Geräts.
- Entsorgen Sie Akkus niemals im normalen Hausmüll oder werfen ihn in ein Feuer. Entsorgen Sie Akkus stets bei den dafür vorgesehenen Sammelstellen für Gefahrgut.

## GERÄTEPFLEGE

- Eine gute Gerätepflege sichert Ihnen einen einwandfreien Betrieb, Langlebigkeit und mindert das Risiko von Beschädigungen.
- Halten Sie das Gerät fern von extremer Feuchtigkeit und Temperaturen, setzen Sie das Gerät langfristig nicht ultravioletter und Sonneneinstrahlung aus.
- Vermeiden Sie starke Schläge und Fall des Gerätes.
- Setzen Sie das Gerät keinen extremen Temperaturschwankungen aus. Dies könnte zu Kondenswasserbildung im inneren des Geräts führen und das Gerät beschädigen. Bei Kondenswasserbildung lassen Sie das Gerät vor weiterer Inbetriebnahme mehrere Tage gründlich trocknen.
- Die Displayoberfläche kann leicht verkratzen. Nicht mit scharfen Gegenständen berühren.
- Gerät nicht putzen wenn eingeschaltet. Um das Display und die Kamera zu reinigen benutzen Sie ein Fusselfreies feines Tuch. Display nicht mit Papiertaschentüchern reinigen.
- Versuchen Sie nie die Kamera auseinander zu nehmen, selber zu reparieren oder sonst wie zu verändern. In allen Fällen von Demontage oder anderen Änderungen des Geräts verfällt die Garantie und es kann zu Verletzungen oder sogar Schäden an Eigentum kommen.
- Lagern und transportieren Sie das Gerät oder seine Teile nicht in der Nähe von brennbaren Materialien, Flüssigkeiten, Gasen oder Sprengmaterial.
- Um Diebstahl vorzubeugen lassen Sie das Gerät oder Zubehör sichtbar im Auto ohne Aufsicht.
- Überhitzung kann das Gerät beschädigen.
- Laden Sie das Gerät nur unter Aufsicht.
- Wenn die Autokamera und alles gebrauchte Zubehör, mit stark chlorhaltigem oder mit Salzwasser in Berührung kommt, spülen Sie sie mit Trinkwasser ab und trocknen Sie sie ab.
- Verwenden Sie keine externen Wärmequellen zum Austrocknen der Autokamera, wie beispielsweise eine Mikrowelle oder einen Fön.
- Kontrollieren Sie vor dem Schwimmen oder dem Tauchen immer, dass das Batteriefach oder die Ladeport-Abdeckung nicht geöffnet sind. Falls doch, schließen Sie sie. Sonst wird die Autokamera nicht wasserdicht sein.
- Reinigen Sie den Touch-Screen nur mit einem Tuch, das dafür bestimmt ist und verhindern Sie damit das Zerkratzen.

## WEITERE ANGABEN

1) Für Haushalte: Das angeführte Symbol  auf dem Gerät oder in der begleitenden Dokumentation bedeutet, dass die gebrauchten elektrischen oder elektronischen Produkte nicht zusammen mit dem Restmüll entsorgt werden dürfen. Damit sie ordnungsgemäß entsorgt werden können, geben Sie sie bitte an der dafür bestimmten Sammelstellen ab, wo sie kostenlos angenommen werden. Durch die richtige Entsorgung dieses Produkts helfen Sie, die wertvollen natürlichen Rohstoffe zu erhalten und dem potentiellen negativen Einfluss auf die Umwelt und die menschliche Gesundheit, die die negativen Folgen einer falschen Entsorgung darstellen, vorzubeugen. Erfragen Sie weitere Details bei der lokalen Behörde oder bei der nächsten Sammelstelle. Bei einer falschen Entsorgung dieser Produktenart können Ihnen gemäß den lokalen Vorschriften Geldbußen auferlegt werden. Informationen für die Entsorgung der elektrischen oder elektronischen Geräten (Nutzung seitens Firmen und Unternehmen): Erfragen Sie detaillierte Informationen über die Entsorgung der elektrischen

und elektronischen Geräte bei Ihrem Händler oder Lieferanten. Informationen über die Entsorgung der elektrischen und elektronischen Geräte für die Benutzer aus anderen Ländern außerhalb der Europäischen Union: Das oben angeführte Symbol (durchgestrichene Mülltonne) ist nur in den Ländern der Europäischen Union gültig. Für eine ordnungsgemäße Entsorgung der elektrischen und elektronischen Geräte erfragen Sie detaillierte Informationen bei Ihren Behörden oder Händlern. Das Symbol der durchgestrichenen Mülltonne steht für alle oben aufgeführten Vorschriften.

2) Machen Sie die Garantiereparaturen des Geräts bei Ihrem Händler geltend. Bei technischen Problemen und Fragen setzen Sie sich mit Ihrem Händler in Verbindung, der Sie über das weitere Vorgehen informieren wird. Halten Sie sich an die Regeln des Umgangs mit Gerät. Der Benutzer ist nicht berechtigt, die Geräte auseinanderzunehmen und oder irgendeinen Teil von ihnen auszuwechseln. Beim Auseinandernehmen oder Abnehmen des Gehäuses droht das Risiko einer Verletzung durch einen Stromschlag. Bei einer nicht korrekten Zusammensetzung des Geräts und dessen nachfolgenden Anschluss an die Stromversorgung setzen Sie sich auch dem Risiko einer Stromverletzung aus.

Die Garanzfrist für Produkte beträgt 24 Monate, soweit nicht etwas anderes festgelegt ist. Die Garantie bezieht sich nicht auf Schäden durch nicht bestimmungsgemäße Verwendung, unsachgemäße Gebrauchsbefindungen, Umgang im Widerspruch zum Handbuch oder normale Abnutzung. Die Garantiezeit für die Batterie beträgt 24 Monate, für ihre Kapazität 6 Monate. Für weitere Informationen besuchen Sie die Website [www.elem6.com/warranty](http://www.elem6.com/warranty)

Der Hersteller, Importeur oder Vertriebs Händler haften für keine Schäden infolge unsachgemäßer Montage oder nicht bestimmungsgemäßer Verwendung des Produktes.

### EU-KONFORMITÄTSERKLÄRUNG

Die Firma elem6 s.r.o. erklärt hiermit, dass LAMAX X7.2 in Übereinstimmung mit den grundlegenden Anforderungen und anderen einschlägigen Bestimmungen der Richtlinien 2014/30/EU und 2014/53/EU stehen. Die Produkte TrueLife sind für den uneingeschränkten Vertrieb in Deutschland, Tschechien, der Slowakei, Polen, Ungarn und anderen EU-Mitgliedsländern bestimmt. Die Konformitätserklärung kann auf der Webseite <https://www.lamax-electronics.com/support/doc/> heruntergeladen werden.

- Frequenzbereich in denen das Radiogerät operiert: 2.41–2.475 GHz
- Maximale Radiofrequenzstärke, die über den/die Frequenzbereich des Geräts abgestrahlt wird: 6 dBi

### HERSTELLER:

elem6 s.r.o., Braškovská 308/158, 161 00 Prag 6  
[www.lamax-electronics.com](http://www.lamax-electronics.com)



**Druckfehler und Änderungen in der Betriebsanleitung sind vorbehalten.**

# LAMAX

ELECTRONICS

---

## LAMAX X7.2

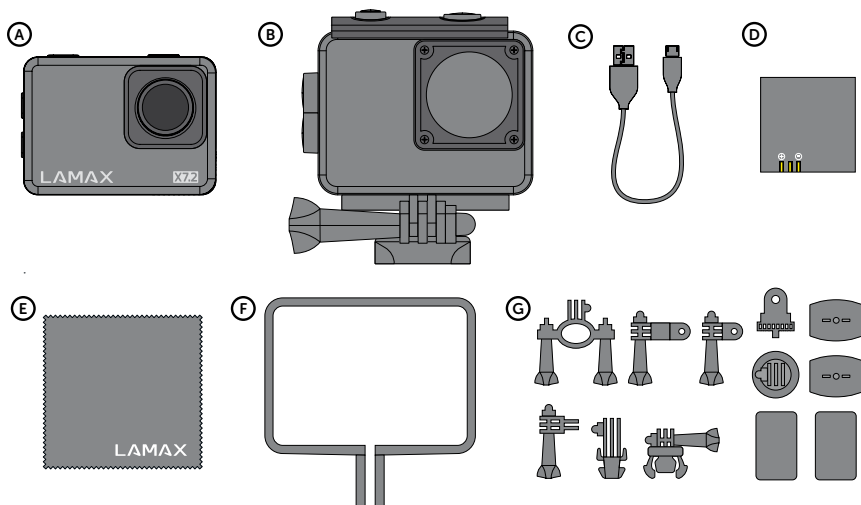
ACTION CAMERA



## OBSAH

1. OBSAH BALENÍ.....	2
2. SEZNÁMENÍ S KAMEROU.....	3
3. OVLÁDÁNÍ KAMERY.....	4
4. PRVNÍ ZAPNUTÍ.....	4
5. NASTAVENÍ V REŽIMU VIDEO.....	5
6. NASTAVENÍ V REŽIMU FOTOGRAFIE.....	5
7. NASTAVENÍ KAMERY.....	6
8. WIFI – MOBILNÍ APLIKACE.....	7
9. VODOTĚSNOST.....	7
10. BEZPEČNOSTNÍ OPATŘENÍ.....	8

## 1. OBSAH BALENÍ



(A) Akční kamera LAMAX X7.2

(B) Vodotěsný obal do 40 m

(C) Micro USB kabel pro nabíjení / přenos souborů

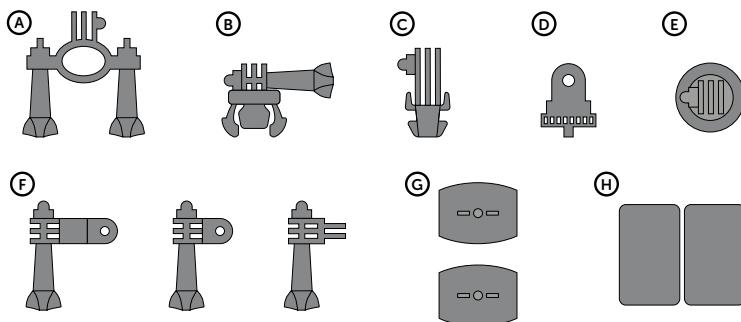
(D) Li-ion baterie

(E) Utěrka z mikrovlákna

(F) Rámeček

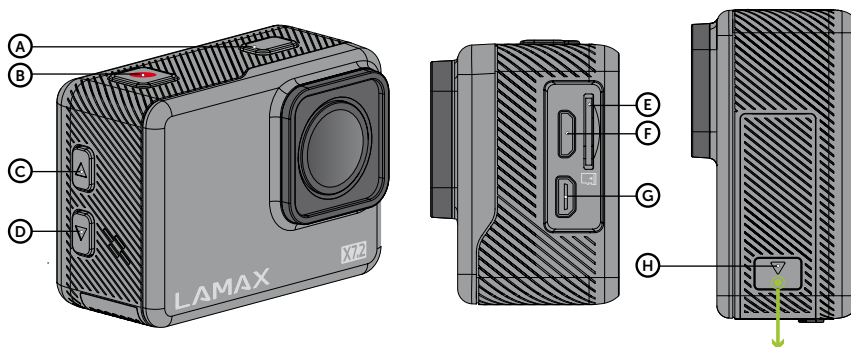
(G) Úchyty

## ÚCHYTY



- A** Držák na tyč – pro upevnění například na řídítka
- B** Fast plug-in – pro rychlé navaknutí držáku
- C** J mount – pro rychlé navaknutí s vyvýšením
- D** Redukce na stativ – pro připojení kamery bez pouzdra na příslušenství
- E** Adaptér na stativ – pro připojení kamery v pouzdra na stativ
- F** 3-axis connector (3 části) – pro upevnění libovolným směrem
- G** Samolepící držák (2x) – pro uchycení na hladký povrch (helma, kapota)
- H** Náhradní 3M podložky (2x) – pro opětovné nalepení samolepícího držáku

## 2. SEZNÁMENÍ S KAMEROU



- A** Tlačítko POWER / MODE
- B** Tlačítko REC / OK
- C** Tlačítko NAHORU
- D** Tlačítko DOLŮ
- E** Slot pro paměťovou kartu
- F** Micro USB port
- G** Video out
- H** Dvířka k baterii

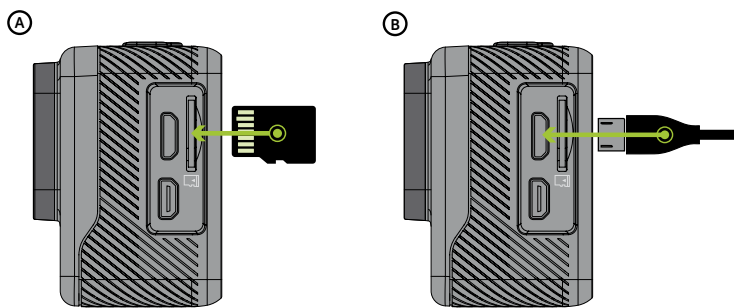
**Poznámka:** Používejte pouze doporučené příslušenství, v opačném případě může dojít k poškození kamery.



### 3. OVLÁDÁNÍ KAMERY

Zapnutí a vypnutí	Podržením tlačítka POWER / MODE
Spuštění / ukončení záznamu	Stisknutím tlačítka REC / OK
Přepnutí režimu	Stisknutím tlačítka POWER / MODE
Zapnutí / vypnutí záznamu zvuku	Stisknutím tlačítka NAHORU
Rychlá nabídka	Přidržením tlačítka REC / OK
Zapnutí / vypnutí WiFi	Stisknutím tlačítka DOLŮ

### 4. PRVNÍ ZAPNUTÍ



#### Ⓐ VLOŽTE MICROSD KARTU DO KAMERY PODLE OBRÁZKU (KONEKTORY SMĚREM K OBJEKTIVU)

- Kartu vkládejte jen, když je kamera vypnutá a není připojená k počítači.
- Kartu při prvním použití zformátujte přímo v kameře.
- Doporučujeme paměťové karty s vyšší zapisovací rychlostí (UHS Speed Class –U3 a vyšší) a maximální kapacitou 128 GB.

**Poznámka:** Používejte jen Micro SDHC či SDXC karty od renomovaných výrobců. Karty neznámkových výrobců nezaručují správné fungování datového úložiště.

#### Ⓑ PŘIPOJTE KAMERU K NAPÁJENÍ

- Kameru můžete nabíjet jak připojením k počítači, tak pomocí dokoupitelného síťového adaptéru.
- Před prvním použitím baterii plně nabijte.
- Nabíjení baterie z 0 na 100 % trvá přibližně 4 hod. Po nabití zhasne indikátor nabíjení.

**Poznámka:** Nabíjení baterie z 0 na 80 % trvá 2,5 hod.

## 5. NASTAVENÍ V REŽIMU VIDEO

<b>Rozlišení videa</b>	Nastavení rozlišení a FPS (snímků za vteřinu) ve kterém kamera bude nahrávat.
<b>Stabilizace obrazu</b>	Zapnutí/vypnutí MAXsmooth stabilizace, která je dostupná ve všech rozlišeních při maximálně 60 fps. Při zapnuté stabilizaci je úhel záběru (FOV) menší a také může při horších světelných podmínkách negativně ovlivnit kvalitu videa. Nelze kombinovat s funkcí korekce rybiho oka.
<b>Záznam zvuku</b>	Nastavení, zda má kamera nahrávat zvuk.
<b>Redukce šumu větru</b>	Funkce zlepší nahrávaný zvuk při silném větru.
<b>Expozice</b>	Nastavení kompenzace expozice. Vyšší hodnota znamená světlejší video, nižší hodnota tmavší video.
<b>Měření</b>	Nastavení způsobu měření expozice. Na výběr je ze dvou režimů „Střed“ a „Průměr“. <ul style="list-style-type: none"><li>› <b>Střed</b> – Toto nastavení je vhodné pro natáčení objektů, které se budou převážně nacházet uprostřed záběru.</li><li>› <b>Průměr</b> – V tomto nastavení kamera získá informace o světle z celé scény a nastaví průměrné hodnoty.</li></ul>
<b>Datum ve videu</b>	Zapíná/vypíná vložení data a času do nahrávaného videa.

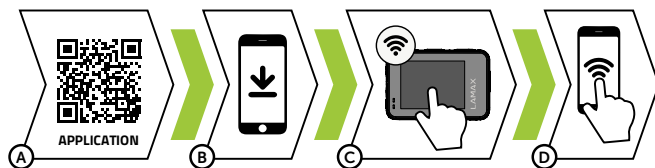
## 6. NASTAVENÍ V REŽIMU FOTOGRAFIE

<b>Rozlišení fotografie</b>	Nastavení rozlišení pořizovaných fotografií.
<b>Kvalita obrazu</b>	Nastavení kvality fotografie. Výsledné nastavení ovlivní i velikost uložených souborů.
<b>ISO</b>	Nastavení hodnoty ISO. Nastavená hodnota ISO určí citlivost na světlo. Čím vyšší hodnota, tím světlejší snímek.
<b>Expozice</b>	Nastavení kompenzace expozice. Vyšší hodnota znamená světlejší fotografii, nižší hodnota tmavší fotografii.
<b>Měření</b>	Nastavení způsobu měření expozice. Na výběr je ze dvou režimů „Střed“ a „Průměr“. <ul style="list-style-type: none"><li>› <b>Střed</b> – Toto nastavení je vhodné pro natáčení objektů, které se budou převážně nacházet uprostřed záběru.</li><li>› <b>Průměr</b> – V tomto nastavení kamera získá informace o světle z celé scény a nastaví průměrné hodnoty.</li></ul>
<b>Datum</b>	Zapíná/vypíná vložení data a času do pořízené fotografie.

## 7. NASTAVENÍ KAMERY

<b>Frekvence sítě</b>	Umožňuje vybrat frekvenci v souladu s frekvencí rozvodné sítě (na Evropském kontinentu je vedený v síti proud s frekvencí 50 Hz, v Americe a části Asie je to potom 60 Hz).
<b>Zvuky</b>	Zapnutí/vypnutí systémových zvuků kamery a jejich hlasitost.
<b>Úhel</b>	Nastavení úhlu záběru kamery.
<b>Režim potápění</b>	Zapnutí/vypnutí režimu potápění. Při zapnutém režimu kamera vyrovnává zabarvení záběrů pod vodou.
<b>Efekt</b>	Nastavení barevných módů.
<b>LDC</b>	Redukce rybiho oka.
<b>Jízdní režim</b>	Jízdní režim aktivuje automatické zapnutí nahrávání ihned po zapnutí kamery.
<b>Mikrofon</b>	Výběr mezi vestavěným a externím mikrofon. Pro fungování externího mikrofonu je zapotřebí ho zapojit do microUSB portu.
<b>Otočení obrazu</b>	Nastavení otočení obrazu o 180°.
<b>Spořič obrazovky</b>	Nastavuje čas, po kterém se automaticky vypne displej, aby šetřil baterii. Dotykem na displej nebo stisknutím tlačítek displej znovu aktivujete.
<b>Automatické vypnutí</b>	Nastavení automatického vypnutí kamery v době nečinnosti. Zapnutá funkce vypne kameru v případě, že nenahrává video.
<b>Frekvence</b>	Umožňuje vybrat frekvenci v souladu s frekvencí rozvodné sítě (na Evropském kontinentu je vedený v síti proud s frekvencí 50 Hz, v Americe a části Asie je to potom 60 Hz).
<b>Vyvážení bílé</b>	Nastavení vyvážení bílé barvy pro různé způsoby osvětlení scény.
<b>Datum a čas</b>	Nastavení systémového data a času.
<b>Jazyk</b>	Výběr jazyka.
<b>Formátovat kartu</b>	Vymazání veškerých dat na paměťové kartě.
<b>Systém</b>	Umožňuje přístup k informacím o firmwaru kamery, k informacím o paměťové kartě a také lze uvést kameru do Továrního nastavení.

## 8. WIFI – MOBILNÍ APLIKACE



Díky mobilní aplikaci budete moci měnit režimy a nastavení kamery nebo prohlížet a stahovat natočená videa a fotografie přímo do vašeho mobilního zařízení.

- A** Načtěte QR kód pro stažení aplikace nebo klikněte na následující odkaz:  
<https://www.lamax-electronics.com/x72/app/>
- B** Nainstalujte aplikaci do vašeho mobilního zařízení.
- C** Zapněte WiFi v kameře stlačením tlačítka DOLŮ.
- D** Na vašem mobilním zařízení se připojte na WiFi síť s názvem kamery. Heslo na WiFi je zobrazené na displeji kamery (z výroby 1234567890).

## 9. VODOTĚSNOST

**Odolnost proti ponoření do vody je splněna za těchto podmínek:**

### AKČNÍ KAMERA:

Kamera je vodotěsná pouze při vložení do vodotěsného pouzdra.

### VODOTĚSNÉ POUZDRO:

Pouzdro odolá ponoření do hloubky 40 metrů. Před použitím kamery v pouzdru se ujistěte o správném uzavření zadních dvířek pouzdra pomocí mechanismu na horní straně pouzdra. Dvířka a těsnění pouzdra musí být zbaveno veškerých nečistot, jako je prach, písek a podobně. Při použití ve slané vodě opláchněte pouzdro pitnou vodou. K osušení nepoužívejte žádné textilní látky či externí zdroje tepla (fén, mikrovlnná trouba apod.), pouzdro vždy nechejte pozvolna vyschnout. V případě použití vodotěsného pouzdra nelze využít dotykovou plochu displeje kamery a kameru je nutné ovládat pomocí tlačítek.

### DÁLKOVÉ OVLÁDÁNÍ:

Není vodotěsné.

## 10. BEZPEČNOSTNÍ OPATŘENÍ

**Před prvním použitím je spotřebitel povinen se seznámit se zásadami bezpečného používání výrobku.**

### ZÁSADY A UPOZORNĚNÍ

- Pro zajištění vlastní bezpečnosti nepoužívejte ovládací prvky tohoto přístroje při řízení.
- Při používání rekordéru v autě je nezbytný okenní držák. Rekordér umístěte na vhodné místo tak, aby nebránil ve výhledu řidiče ani v aktivaci bezpečnostních prvků (např. airbagů).
- Objektiv kamery nesmí být ničím blokován a v blízkosti objektivu se nesmí nacházet žádný reflexní materiál. Uchovávejte objektiv čistý.
- Pokud je čelní sklo automobilu zbarveno reflexní vrstvou, může to omezovat kvalitu záznamu.

### BEZPEČNOSTNÍ ZÁSADY

- Nepoužívejte nabíječku ve vysoce vlhkém prostředí. Nikdy se nabíječky nedotýkejte mokřýma rukama nebo stojíte-li ve vodě.
- Při napájení přístroje nebo nabíjení baterie ponechte kolem nabíječky dostatečný prostor pro cirkulaci vzduchu. Nepřikrývejte nabíječku papíry ani jinými předměty, které by mohly zhoršit její chlazení. Nepoužívejte nabíječku uloženou v transportním obalu.
- Nabíječku připojujte ke správnému zdroji napětí. Údaje o napětí jsou uvedeny na plášti výrobku nebo na jeho obalu.
- Nepoužívejte nabíječku, je-li zjevně poškozena. V případě poškození zařízení sami neopravujte!
- V případě nadměrného zahřívání přístroj okamžitě odpojte od přívodu energie.
- Nabíjejte zařízení pod dohledem.
- Balení obsahuje malé dílky, které mohou být nebezpečné pro děti. Produkt vždy ukládejte mimo dosah dětí. Sáčky nebo mnoho dílků, které obsahují, mohou po spolknutí nebo po nasazení na hlavu způsobit udušení.

### BEZPEČNOSTNÍ UPOZORNĚNÍ PRO LI-ION BATERIE


- Před prvním použitím baterii plně nabijte.
- Pro nabíjení používejte jen nabíječku, která je pro tento typ baterie určena.
- Používejte standardní kabely pro nabíjení, jinak by mohlo dojít k poškození zařízení.
- V žádném případě nepřipojujte k nabíječce mechanicky poškozené nebo nafouklé baterie. Baterie v takovém stavu již vůbec nepoužívejte, hrozí nebezpečí výbuchu.
- Nepoužívejte jakkoliv poškozený síťový adaptér nebo nabíječku.
- Nabíjení provádějte za pokojové teploty, nikdy nenabíjejte při teplotě nižší než 0 °C nebo při teplotě vyšší než 40 °C.
- Dejte pozor na pády, baterii neprorážejte ani jinak nepoškozujte. Poškozenou baterii rozhodně neopravujte.
- Nevystavujte nabíječku ani baterii působení vlhkosti, vody, dešti, sněhu nebo různým nástřikům.
- Baterii nenechávejte ve vozidle, nevystavujte slunečnímu záření a nedávejte poblíž zdrojů tepla. Silné světlo či vysoké teploty mohou baterii poškodit.
- Během nabíjení neopnechávejte akumulátory nikdy bez dohledu, zkrat nebo náhodné přebití (akumulátoru nevhodného pro rychlonabíjení nebo nabíjeného nadměrným proudem či při poruše nabíječky) může způsobit únik agresivních chemikálií, explozi nebo následný požár!
- V případě, že při nabíjení baterie dochází k jejímu nadměrnému ohřívání, tak baterii okamžitě odpojte.
- Nabíječku a nabíjený akumulátor neumísťujte při nabíjení na nebo do blízkosti hořlavých předmětů. Pozor na záclony, koberce, ubrusy atd.
- Jakmile je dobíjené zařízení plně dobito, odpojte jej z důvodu bezpečnosti.
- Udržujte baterii mimo dosah dětí i zvířat.
- Nabíječku ani baterii nikdy nerozebírejte.
- Pokud je baterie integrovaná, nikdy nerozebírejte zařízení, pokud není stanoveno jinak. Jakýkoliv takový pokus je riskantní a může mít za následek poškození produktu a následnou ztrátu záruky.

- Nevyhazujte opotřebované nebo poškozené baterie do odpadkového koše, ohně či do topných zařízení, ale odevzdejte je ve sběrnách nebezpečného odpadu.

## ÚDRŽBA PŘÍSTROJE

- Dobrá údržba tohoto přístroje zajistí bezproblémový provoz a omezí nebezpečí poškození.
- Uchovávejte přístroj mimo extrémní vlhkost a teploty a nevystavujte přístroj dlouhodobě přímému slunečnímu nebo ultrafialovému záření.
- Zabraňte pádu přístroje ani jej nevystavujte silným nárazům.
- Nevystavujte přístroj náhlým a prudkým změnám teplot. Mohlo by to způsobit kondenzování vlhkosti uvnitř zařízení, což by mohlo přístroj poškodit. V případě, kdy dojde ke kondenzaci vlhkosti, před dalším používáním nechte přístroj dokonale vyschnout.
- Povrch displeje se může snadno poškrábat. Nedotýkejte se jej ostrými předměty.
- Zásadně nečistěte přístroj, když je zapnutý. K čištění displeje a vnějšího povrchu přístroje použijte měkký netřepivý hadřík. Nečistěte displej papírovými utěrkami.
- Zásadně se nepokoušejte přístroj rozebírat, opravovat nebo jakkoli upravovat. V případě demontáže, úprav nebo jakéhokoli pokusu o opravu dochází k propadnutí záruky a může dojít k poškození přístroje či dokonce ke zranění nebo škodám na majetku.
- Neskladujte ani nepřevázejte hořlavé kapaliny, plyny nebo výbušné materiály pohromadě s přístrojem, jeho částmi nebo doplňky.
- Aby se zabránilo krádeži, nenechávejte přístroj a příslušenství na viditelném místě ve vozidle bez dozoru.
- Přehřátí může přístroj poškodit.
- Při styku se silně chlorovanou nebo mořskou vodou kameru a veškeré použité příslušenství, opláchněte v pitné vodě a osušte ji.
- Na vysušení kamery nepoužívejte externí zdroj tepla jako například mikrovlnou troubu nebo sušák na vlasy.
- Před plaváním nebo potápěním vždy zkontrolujte, jestli nejsou pootěvená dvířka baterie nebo dvířka k napájecím portům. Pokud ano, zavřete je. Jinak kamera nebude vykazovat vodotěsnost.
- Dotykový displej utírejte jen utěrkou, která je k tomu určená a vyhněte se tak jeho poškrábání.

## DALŠÍ INFORMACE

1) Pro domácnosti: Uvedený symbol  na výrobku nebo v průvodní dokumentaci znamená, že použité elektrické nebo elektronické výrobky nesmí být likvidovány společně s komunálním odpadem. Za účelem správné likvidace výrobku jej odevzdejte na určených sběrných místech, kde budou přijata zdarma. Správnou likvidací tohoto produktu pomůžete zachovat cenné přírodní zdroje a napomáháte prevenci potenciálních negativních dopadů na životní prostředí a lidské zdraví, což by mohly být důsledky nesprávné likvidace odpadů. Další podrobnosti si vyžádejte od místního úřadu nebo nejbližšího sběrného místa. Při nesprávné likvidaci tohoto druhu odpadu mohou být v souladu s národními předpisy uděleny pokuty. Informace pro uživatele k likvidaci elektrických a elektronických zařízení (firemní a podnikové použití): Pro správnou likvidaci elektrických a elektronických zařízení si vyžádejte podrobné informace u Vašeho prodejce nebo dodavatele. Informace pro uživatele k likvidaci elektrických a elektronických zařízení v ostatních zemích mimo Evropskou unii: Výše uvedený symbol (přeškrtnutý koš) je platný pouze v zemích Evropské unie. Pro správnou likvidaci elektrických a elektronických zařízení si vyžádejte podrobné informace u Vašich úřadů nebo prodejce zařízení. Vše vyjadřuje symbol přeškrtnutého kontejneru na výrobku, obalu nebo tištěných materiálech.

2) Záruční opravy zařízení uplatňujte u svého prodejce. V případě technických problémů a dotazů kontaktujte svého prodejce, který Vás bude informovat o dalším postupu. Dodržujte pravidla pro práci s elektrickými zařízeními. Uživatel není oprávněn rozebírat zařízení ani vyměňovat žádnou jeho součást. Při otevření nebo odstranění krytí hrozí riziko úrazu elektrickým proudem. Při nesprávném sestavení zařízení a jeho opětovném zapojení se rovněž vystavujete riziku úrazu elektrickým proudem.

Záruční lhůta je na produkty 24 měsíců, pokud není stanovena jinak. Záruka se nevztahuje na poškození způsobené nestandardním používáním, mechanickým poškozením, vystavením agresivním podmínkám,

zacházením v rozporu s manuálem a běžným opotřebením. Záruční doba na baterii je 24 měsíců, na její kapacitu 6 měsíců. Více informací ohledně záruky naleznete na [www.elem6.com/warranty](http://www.elem6.com/warranty)

Výrobce, dovozce ani distributor nenesou žádnou odpovědnost za jakékoli škody způsobené montáží nebo nesprávným užíváním produktu.

### EU PROHLÁŠENÍ O SHODĚ

Společnost elem6 s.r.o. tímto prohlašuje, že zařízení LAMAX X7.2 je ve shodě se základními požadavky a dalšími příslušnými ustanoveními směrnice 2014/30/EU a 2014/53/EU. Všechny produkty značky LAMAX jsou určeny pro prodej bez omezení v Německu, České republice, Slovensku, Polsku, Maďarsku a v dalších členských zemích EU. Úplné prohlášení o shodě lze stáhnout z webu <https://www.lamax-electronics.com/support/doc/>

- › Kmitočtové pásmo, v němž rádiové zařízení pracuje: 2.41–2.475 GHz
- › Maximální radiofrekvenční výkon vysílaný v kmitočtovém pásmu, v němž je rádiové zařízení provozováno: 6 dBi

### VÝROBCE:

elem6 s.r.o., Braškovská 308/158, 161 00 Praha 6  
[www.lamax-electronics.com](http://www.lamax-electronics.com)



**Tiskové chyby a změny v manuálu jsou vyhrazeny.**

# LAMAX

ELECTRONICS

---

# LAMAX X7.2

ACTION CAMERA



---

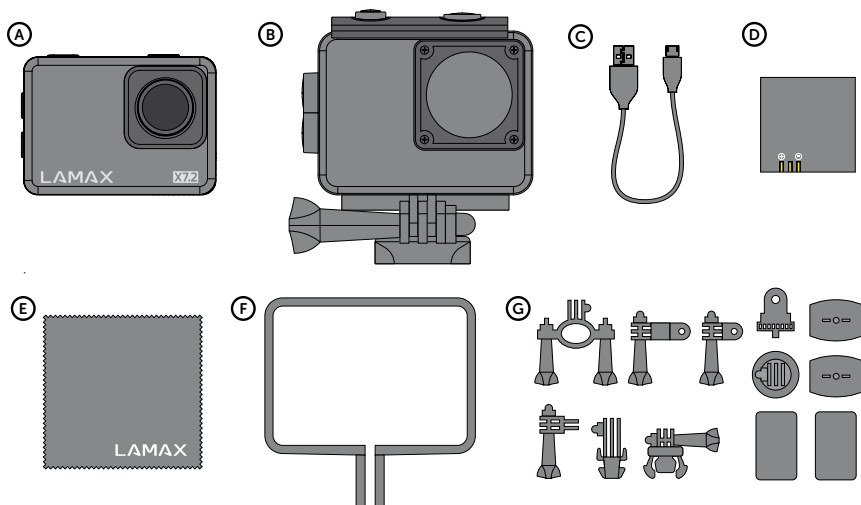
SK – Užívateľská príručka



## OBSAH

1. OBSAH BALENIA.....	2
2. ZOZNÁMENIE S KAMEROU.....	3
3. OVLÁDANIE KAMERY.....	4
4. PRVÉ ZAPNUTIE.....	4
5. NASTAVENIA V REŽIME VIDEO.....	5
6. NASTAVENIA V REŽIME FOTOGRAFIE.....	5
7. NASTAVENIA KAMERY.....	6
8. WIFI – MOBILNÁ APLIKÁCIA.....	7
9. VODOTESNOSŤ.....	7
10. BEZPEČNOSTNÉ OPATRENIA.....	8

## 1. OBSAH BALENIA



(A) Akčná kamera LAMAX X7.2

(B) Vodotesný obal do 40 m

(C) Micro USB kábel pre nabíjanie / prenos súborov

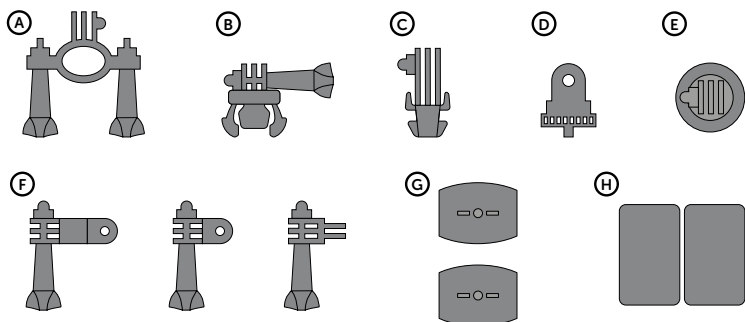
(D) Li-ion batérie

(E) Utierka z mikrovlnáka

(F) Rámček

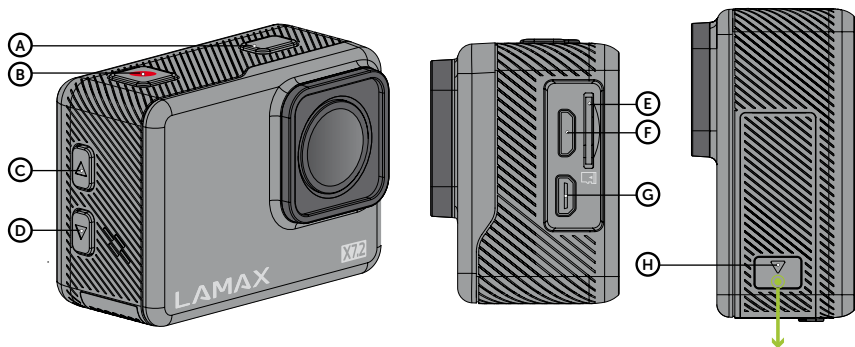
(G) Úchytý

## ÚCHYTY



- Ⓐ Držiak na tyč – pre upevnenie napríklad na riadidlá
- Ⓐ Fast plug-in – pre rýchle navaknutie držiaku
- Ⓐ J mount – pre rýchle navaknutie s vyvýšením
- Ⓐ Redukcia na statív – pre pripojenie kamery bez puzdra na príslušenstvo
- Ⓐ Adaptér na statív – pre pripojenie kamery v puzdre na statív
- Ⓐ 3-axis connector (3 časti) – pre upevnenie ľubovoľným smerom
- Ⓐ Samolepiaci držiak (2x) – pre uchytie na hladký povrch (helma, kapota)
- Ⓐ Náhradné 3M podložky (2x) – pre opätovné nalepenie samolepiaceho držiaku

## 2. ZOZNÁMENIE S KAMEROU



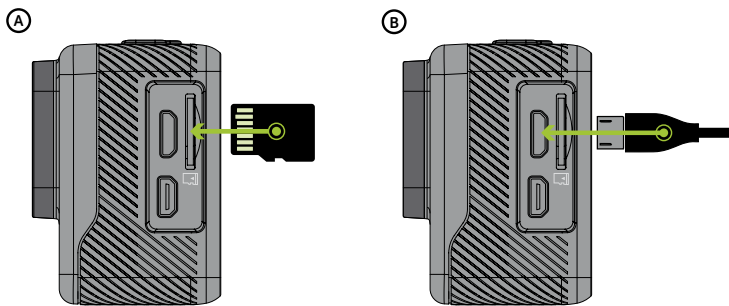
- Ⓐ Tlačidlo POWER / MODE
- Ⓑ Tlačidlo REC / OK
- Ⓒ Tlačidlo HORE
- Ⓓ Tlačidlo DOLE
- Ⓔ Slot pre pamäťovú kartu
- Ⓕ Micro USB port
- Ⓖ Video out
- Ⓗ Dvierka ku batérii

**Poznámka:** Používajte iba doporučené príslušenstvo, v opačnom prípade môže dôjsť ku poškodeniu kamery.

### 3. OVLÁDANIE KAMERY

Zapnutie a vypnutie	Podržaním tlačidla POWER / MODE
Spustenie / ukončenie záznamu	Stlačením tlačidla REC / OK
Prepnutie režimu	Stlačením tlačidla POWER / MODE
Zapnutie / vypnutie záznamu zvuku	Stlačením tlačidla HORE
Rýchla ponuka	Pridržaním tlačidla REC / OK
Zapnutie / vypnutie WIFI	Stlačením tlačidla DOLE

### 4. PRVÉ ZAPNUTIE



#### A VLOŽTE MICRO SD KARTU DO KAMERY PODĽA OBRÁZKU (KONEKTORY SMEROM U OBJEKTÍVU)

- Kartú vkladajte len, ak je kamera vypnutá a nie je pripojená ku počítaču.
- Kartú pri prvom použití sformátujte priamo v kamere.
- Odporúčame pamäťové karty s vyššou zapisovacou rýchlosťou (UHS Speed Class –U3 a vyššie) a maximálnou kapacitou 128 GB.

**Poznámka:** Používajte len Micro SDHC či SDXC karty od renomovaných výrobcov. Karty neznámkových výrobcov nezaručujú správne fungovanie dátového úložiska.

#### B PRIPOJTE KAMERU KU NAPÁJANIU

- Kameru môžete nabíja pripojením ku počítaču, alebo pomocou dokúpiteľného sieťového adaptéru.
- Pred prvým použitím batérie plne nabite.
- Nabitie batérie z 0 na 100 % trvá približne 4 hod. Po nabití zhasne indikátor nabíjania.

**Poznámka:** Nabitie batérie z 0 na 80 % trvá 2,5 hod.

## 5. NASTAVENIA V REŽIME VIDEO

<b>Rozlíšenie videa</b>	Nastavenie rozlíšenia a FPS (snímok za sekundu) v ktorom kamera bude nahrávať.
<b>Stabilizácia obrazu</b>	Zapnutie/vypnutie MAXsmooth stabilizácie, ktorá je dostupná vo všetkých rozlíšeniach pri maximálne 60 fps. Pri zapnutej stabilizácii je uhol' záberu (FOV) menší a tiež môže pri horších svetelných podmienkach negatívne ovplyvniť kvalitu videa. Nie je možné kombinovať s funkciou korekcie rybieho oka.
<b>Záznam zvuku</b>	Nastavenie, či má kamera nahrávať zvuk.
<b>Redukcia šumu vetra</b>	Funkcia zlepší nahrávaný zvuk pri silnom vetre.
<b>Expozícia</b>	Nastavení kompenzácie expozície. Vyššia hodnota znamená svetlejšie video, nižšia hodnota tmavšie video.
<b>Meranie</b>	Nastavenie spôsobu merania expozície. Na výber sú dva režimy, „Stred“ a „Priemer“. <ul style="list-style-type: none"><li>› <b>Stred</b> – Toto nastavenie je vhodné na nakrúcanie objektov, ktoré sa budú prevažne nachádzať uprostred záberu.</li><li>› <b>Priemer</b> – V tomto nastavení kamera získava informácie o svetle z celej scény a nastaví priemerné hodnoty.</li></ul>
<b>Dátum vo videu</b>	Zapína/vypína vloženie dátumu a času do nahrávaného videa.

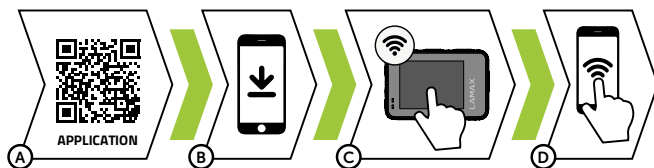
## 6. NASTAVENIA V REŽIME FOTOGRAFIE

<b>Rozlíšenie fotografie</b>	Nastavenie rozlíšení zhotovovaných fotografií.
<b>Kvalita obrazu</b>	Nastavenie kvality fotografie. Výsledné nastavenie ovplyvní aj veľkosť uložených súborov.
<b>ISO</b>	Nastavenie hodnoty ISO. Nastavená hodnota ISO určí citlivosť na svetlo. Čím vyššia hodnota, tým svetlejšia snímka.
<b>Expozícia</b>	Nastavenie kompenzácie expozície. Vyššia hodnota znamená svetlejšiu fotografiu, nižšia hodnota tmavšiu fotografiu.
<b>Meranie</b>	Nastavenie spôsobu merania expozície. Na výber sú dva režimy, „Stred“ a „Priemer“. <ul style="list-style-type: none"><li>› <b>Stred</b> – Toto nastavenie je vhodné pre nakrúcanie objektov, ktoré sa budú prevažne nachádzať uprostred záberu.</li><li>› <b>Priemer</b> – V tomto nastavení kamera získava informácie o svetle z celej scény a nastaví priemerné hodnoty.</li></ul>
<b>Dátum</b>	Zapína/vypína vloženie dátumu a času do zhotovenej fotografie.

## 7. NASTAVENIA KAMERY

<b>Frekvencia siete</b>	Umožňuje vybrať frekvenciu v súlade s frekvenciou rozvodnej siete (na Európskom kontinente je vedený v sieti prúd s frekvenciou 50 Hz, v Amerike a časti Ázie je to 60 Hz).
<b>Zvuky</b>	Zapnutie/vypnutie systémových zvukov kamery a ich hlasitosť.
<b>Uhol</b>	Nastavení uhla záberu kamery.
<b>Režim potápanie</b>	Zapnutie/vypnutie režimu potápanie. Pri zapnutom režime kamera vyrovnáva zafarbenie záberov pod vodou.
<b>Efekt</b>	Nastavenie farebných módov.
<b>LDC</b>	Redukcia rybieho oka.
<b>Jazdný režim</b>	Jazdný režim aktivuje automatické zapnutie nahrávania ihneď po zapnutí kamery.
<b>Mikrofón</b>	Výber medzi vstavaným a externým mikrofónom. Pre fungovanie externého mikrofónu je potrebné ho zapojiť do microUSB portu.
<b>Otočenie obrazu</b>	Nastavenie otočenia obrazu o 180°.
<b>Šetrič obrazovky</b>	Nastavuje čas, po ktorom sa automaticky vypne displej, aby šetril batériu. Dotykem displeja alebo stlačením tlačidiel displej znovu aktivujete.
<b>Automatické vypnutie</b>	Nastavenie automatického vypnutia kamery v čase nečinnosti. Zapnutá funkcia vypne kameru v prípade, že nenahráva video.
<b>Frekvencia</b>	Umožňuje vybrať frekvenciu v súlade s frekvenciou rozvodnej siete (na Európskom kontinente je vedený v sieti prúd s frekvenciou 50 Hz, v Amerike a časti Ázie je to 60 Hz).
<b>Vyváženie bielej</b>	Nastavenie vyváženia bielej farby pre rôzne spôsoby osvetlenia scény.
<b>Dátum a čas</b>	Nastavenie systémového dátumu a času.
<b>Jazyk</b>	Výber jazyka.
<b>Formátovať kartu</b>	Vymazanie všetkých dát na pamäťovej karte.
<b>Systém</b>	Umožňuje prístup ku informáciám o firmvère kamery, ku informáciám o pamäťovej karte a tiež je možné uviesť kameru do Továrenského nastavenia.

## 8. WIFI – MOBILNÁ APLIKÁCIA



Vďaka mobilnej aplikácii budete môcť meniť režimy a nastavenia kamery alebo prezerat' a sťahovat' nakrútené videá a fotografie priamo do vášho mobilného zariadenia.

- (A) Načítajte QR kód pre stiahnutie aplikácie alebo kliknite na nasledujúci odkaz:  
<https://www.lamax-electronics.com/x72/app/>
- (B) Nainštalujte aplikáciu do vášho mobilného zariadenia.
- (C) Zapnite WiFi v kamere stlačením tlačidla DOLE.
- (D) Na vašom mobilnom zariadení sa pripojte na WiFi sieť s názvom kamery. Heslo na WiFi je zobrazené na displeji kamery (z výroby 1234567890).

## 9. VODOTESNOSŤ

**Odolnosť proti ponoreniu do vody je splnená za týchto podmienok:**

### AKČNÁ KAMERA:

Kamera je vodotesná iba pri vložení do vodotesného puzdra.

### VODOTESNÉ PUZDRO:

Puzdro odolá ponoreniu do hĺbky 40 metrov. Pred použitím kamery v puzdre sa uistite o správnom uzatvorení zadných dvierok puzdra pomocou mechanizmu na hornej strane puzdra. Dvierka a tesnenie puzdra musia byť zbavené všetkých nečistôt, ako je prach, piesok a podobne. Pri použití v slanej vode opláchnite puzdro pitnou vodou. Na osušenie nepoužívajte žiadne textilné látky či externé zdroje tepla (fén, mikrovlnná rúra apod.), puzdro vždy nechajte pozvoľne vyschnúť. V prípade použitia vodotesného puzdra nie je možné využiť dotykovú plochu displeja kamery a kameru je nutné ovládať pomocou tlačidiel.

### DIAĽKOVÉ OVLÁDANIE:

Nie je vodotesné.

## 10. BEZPEČNOSTNÉ OPATRENIA

**Pred prvým použitím je spotrebiteľ povinný sa zoznámiť so zásadami bezpečného používania výrobku.**

### ZÁSADY A UPOZORNENIA

- Pre zaistenie vlastnej bezpečnosti nepoužívajte ovládacie prvky tohto prístroja pri riadení.
- Pri používaní rekordéra v aute je nutný okenný držiak. Rekordér umiestnite na vhodné miesto tak, aby nebránil vo výhľade vodiča ani v aktivácii bezpečnostných prvkov (napr. airbagov).
- Objektív kamery nesmie byť ničím blokovaný a v blízkosti objektívu sa nesmie nachádzať žiadny reflexný materiál. Uchovávajte objektív čistý.
- Ak je čelné sklo automobilu zafarbené reflexnou vrstvou, môže to obmedzovať kvalitu záznamu.

### BEZPEČNOSTNÉ ZÁSADY

- Nepoužívajte nabíjačku vo vysoko vlhkom prostredí. Nikdy sa nabíjačky nedotýkajte mokrými rukami alebo ak stojíte vo vode.
- Pri napájaní prístroja alebo nabíjaní batérie ponechajte v okolí nabíjačky dostatočný priestor pre cirkuláciu vzduchu. Neprikrývajte nabíjačku papiermi ani inými predmetmi, ktoré by mohli zhoršiť jej chladenie. Nepoužívajte nabíjačku uloženú v transportnom obale.
- Nabíjačku pripojte ku správnejmu zdroju napätia. Údaje o napätí sú uvedené na plášti výrobku alebo na jeho obale.
- Nepoužívajte nabíjačku, ak je zjavne poškodená. V prípade poškodenia zariadenia ju sami neopravujte!
- V prípade nadmerného zahrievania prístroja ho okamžite odpojte od prívodu energie.
- Nabíjajte zariadenie pod dohľadom.
- Balenie obsahuje malé časti, ktoré môžu byť nebezpečné pre deti. Produkt vždy odkladajte mimo dosahu detí. Vrecká alebo časti, ktoré obsahujú, môžu po prehltnutí alebo nasadení na hlavu spôsobiť udusenie.


### BEZPEČNOSTNÉ UPOZORNENIE PRE LI-ION BATÉRIE

- Pred prvým použitím batériu plne nabite.
- Na nabíjanie používajte len nabíjačku, ktorá je pre tento typ batérie určená.
- Používajte štandardné káble pre nabíjanie, inak by mohlo dôjsť k poškodeniu zariadenia.
- V žiadnom prípade nepripájajte k nabíjačke mechanicky poškodené alebo nafúknuté batérie. Batérie v takom stave už vôbec nepoužívajte, hrozí nebezpečenstvo výbuchu.
- Nepoužívajte akokoľvek poškodený sieťový adaptér alebo nabíjačku.
- Nabíjajte v izbovej teplote, nikdy nenabíjajte pri teplote nižšej ako 0 °C alebo pri teplote vyššej ako 40 °C.
- Dajte pozor na pády, batériu neprederavte ani inak nepoškodujte. Poškodenú batériu rozhodne neopravujte.
- Nevystavujte nabíjačku ani batériu pôsobeniu vlhkosti, vody, dažďa, snehu alebo rôznym nástrekom.
- Batériu nenechávajte vo vozidle, nevystavujte slnečnému žiareniu a nedávajte do blízkosti zdroju tepla. Silné svetlo či vysoké teploty môžu batériu poškodiť.
- Počas nabíjania nenechávajte akumulátory nikdy bez dohľadu, skrat alebo náhodné prebitie (akumulátora nevhodného pre rýchlonabíjanie alebo nabíjaného nadmerným prúdom či pri poruche nabíjačky) môže spôsobiť únik agresívnych chemikálií, explóziu alebo požiar!
- V prípade, že pri nabíjaní batérie dochádza k jej nadmernému ohrievaniu, batériu okamžite odpojte.
- Nabíjačku a nabíjaný akumulátor neumiestňujte pri nabíjaní na horľavé predmety alebo do ich blízkosti. Pozor na záclony, koberce, obrusy a podobne.
- Hneď ako je dobíjané zariadenie plne dobité, odpojte ho z dôvodu bezpečnosti.
- Udržujte batériu mimo dosah detí a zvierat.
- Nabíjačku ani batériu nikdy nerozoberajte.
- Ak je batéria integrovaná, nikdy nerozoberajte zariadenie, pokiaľ nie je stanovené inak. Akýkoľvek takýto pokus je riskantný a môže mať za následok poškodenie produktu a stratu záruky.
- Nevyhadzujte opotrebované alebo poškodené batérie do odpadkového koša, ohňa či do vykurovacích zariadení, ale odovzdajte ich v zberniciach nebezpečného odpadu.

## ÚDRŽBA PRÍSTROJA

- Dobrá údržba tohto prístroja zaistí bezproblémový chod a obmedzí nebezpečenstvo poškodenia.
- Uchovávajúce prístroj mimo extrémnu vlhkosť a teploty a nevystavujte prístroj dlhodobu priamemu slnečnému alebo ultrafialovému žiareniu.
- Zabráňte pádu prístroja, nevystavujte ho silným nárazom.
- Nevystavujte prístroj náhlym a prudkým zmenám teplôt. Mohlo by to spôsobiť kondenzovanie vlhkosti vnútri zariadenia, čo by mohlo prístroj poškodiť. V prípade, kedy dôjde ku kondenzácii vlhkosti, nechajte prístroj pred ďalším používaním dokonale vyschnúť.
- Zásadne nečistite prístroj, keď je zapnutý. K čisteniu prístroja používajte mäkkú handričku.
- Zásadne sa nepokúšajte prístroj rozobrať, opravovať alebo akokoľvek upravovať. V prípade demontáže, úprav alebo akéhokoľvek pokusu o opravu dochádza ku prepadnutiu záruky a môže dôjsť ku poškodeniu prístroja alebo dokonca ku zraneniu alebo škodám na majetku.
- Neskladujte ani neprevádzajte horľavé kvapaliny, plyny alebo výbušné materiály spolu s prístrojom, jeho časťami alebo doplnkami.
- Aby sa zabránilo krádeži, nenechávajte prístroj a príslušenstvo na viditeľnom mieste vo vozidle bez dozoru.
- Prehriatie môže prístroj poškodiť.
- Pri styku so silne chlóravanou alebo morskou vodou kameru a všetky použité príslušenstvo, opláchnite v pitnej vode a osušte ju.
- Na vysušenie kamery nepoužívajte externý zdroj tepla ako napríklad mikrovlnka alebo sušiaci na vlasy.
- Pred plávaním alebo potápaním vždy skontrolujte či nie sú pootvorené dvierka batérie alebo dvierka k napájacím portom. Ak áno zatvorte ich, inak kamera nebude vykazovať vodotesnosť.
- Dotykový displej utierajte len utierkou ktorá je k tomu určená a vyhnite sa tak jeho poškriabaniu.

## ĎALŠIE INFORMÁCIE

1) Pre domácnosti: Uvedený symbol () na výrobku alebo v sprievodnej dokumentácii znamená, že použité elektrické alebo elektronické výrobky nesmú byť likvidované spoločne s komunálnym odpadom. Za účelom správnej likvidácie výrobku ho odovzdajte na určených zberných miestach, kde budú prijaté zdarma. Správnu likvidáciu tohto produktu pomôžete zachovať cenné prírodné zdroje a napomáhate prevencii potenciálnych negatívnych dopadov na životné prostredie a ľudské zdravie, čo by mohli byť dôsledky nesprávnej likvidácie odpadov. Ďalšie podrobnosti si vyžiadajte od miestneho úradu alebo najbližšieho zberného miesta. Pri nesprávnej likvidácii tohto druhu odpadu môžu byť v súlade s národnými predpismi udelené pokuty. Informácie pre užívateľov k likvidácii elektrických elektronických zariadenia (firemné o podnikové použitie): Pre správnu likvidáciu elektrických a elektronických zariadení si vyžiadajte podrobné informácie u vášho predajcu alebo dodávateľa. Informácie pre užívateľov k likvidácii elektrických a elektronických zariadení v ostatných krajinách mimo Európskej únie: Vyššie uvedený symbol (preškrtnutý kôš) je platný len v krajinách Európskej únie. Pre správnu likvidáciu elektrických a elektronických zariadení si vyžiadajte podrobné informácie u vašich úradov alebo u predajca zariadenia. Všetko vyjadruje symbol preškrtnutého kontajnera na výrobku, obalu alebo tlačenej materiáloch.

2) Záručné opravy zariadenia uplatňujte u svojho predajcu. V prípade technických problémov a otázok kontaktujte svojho predajcu, ktorý Vás bude informovať o ďalšom postupe. Dodržujte pravidlá pre prácu s elektrickými zariadeniami. Užívateľ nie je oprávnený rozoberať zariadenie ani vymieňať žiadnu jeho súčasť. Otváranie alebo odstránenie krytov hrozí riziko úrazov elektrickým prúdom. Pri nesprávnom zostavení zariadenie jeho opätovnom zapojení sa tiež vystavujete riziku úrazov elektrickým prúdom.

Záručná lehota na produkty je 24 mesiacov, pokiaľ nie je stanovená inak. Záruka sa nevzťahuje na poškodenie spôsobené neštandardným používaním, mechanickým poškodením, vystavením agresívnym podmienkam, zachádzaním v rozpore s manuálom a bežným opotrebením. Záručná doba na batériu je 24 mesiacov, na jej kapacitu 6 mesiacov. Viac informácií o záruke nájdete na [www.elem6.com/warranty](http://www.elem6.com/warranty)

Výrobca, dovozca ani distribútor nenesú žiadnu zodpovednosť za akékoľvek škody spôsobené montážou alebo nesprávnym užívaním produktu.



## EU PREHLÁSENIE O ZHODE

Spoločnosť elem6 s.r.o. týmto prehlasuje, že LAMAX X7.2 je v zhode so základnými požiadavkami a príslušnými ustanoveniami smernice 2014/30/EU a 2014/53/EU. Produkty LAMAX sú určené pre predaj bez obmedzenia v Nemecku, Českej republike, Slovensku, Poľsku, Maďarsku a v ďalších členských krajinách EÚ. Prehlásenie o zhode je možné stiahnuť z webu <https://www.lamax-electronics.com/support/doc/>

- Frekvenčné pásmo, v ktorom rádiové zariadenie pracuje: 2.41 – 2.475 GHz
- Maximálny rádiový výkon vysielaný vo frekvenčnom pásme, v ktorom je rádiové zariadenie používané: 6 dBi

## VÝROBCA:

elem6 s.r.o., Braškovská 308/158, 161 00 Praha 6  
[www.lamax-electronics.com](http://www.lamax-electronics.com)



**Tlačové chyby a zmeny v manuáli sú vyhradené.**

# LAMAX

ELECTRONICS

---

# LAMAX X7.2

ACTION CAMERA



---

PL – Instrukcja obsługi

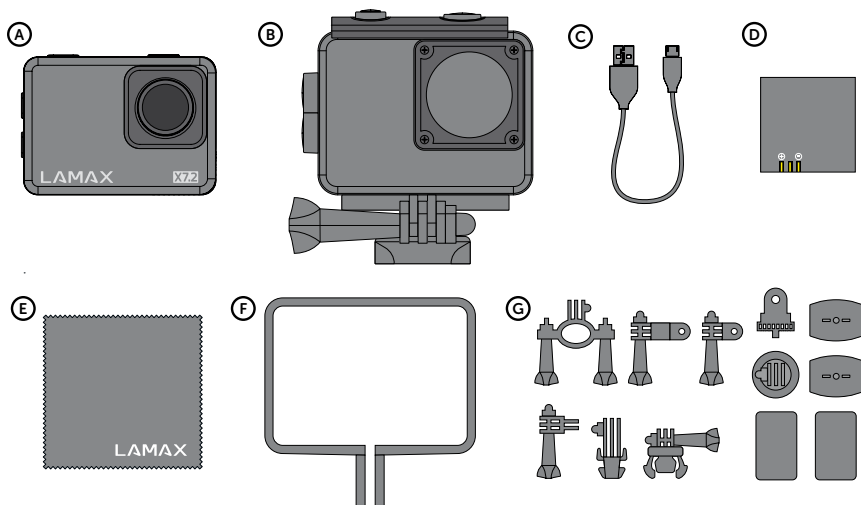
---

## SPIS TREŚCI

1. ZAWARTOŚĆ ZESTAWU.....	2
2. ZAPOZNANIE Z KAMERA.....	3
3. OBSŁUGA KAMERY .....	4
4. PIERWSZE WŁĄCZENIE.....	4
5. USTAWIENIE W TRYBIE VIDEO .....	5
6. USTAWIENIE W TRYBIE ZDJĘCIA.....	5
7. USTAWIENIE KAMERY .....	6
8. WIFI – APLIKACJA MOBILNA .....	7
9. WODOODPORNOŚĆ .....	7
10. ŚRODKI BEZPIECZEŃSTWA.....	8

---

### 1. ZAWARTOŚĆ ZESTAWU



(A) Kamera sportowa LAMAX X7.2

(B) Wodoodporne etui do 40 m

(C) Kabel micro USB do ładowania / przesyłu plików

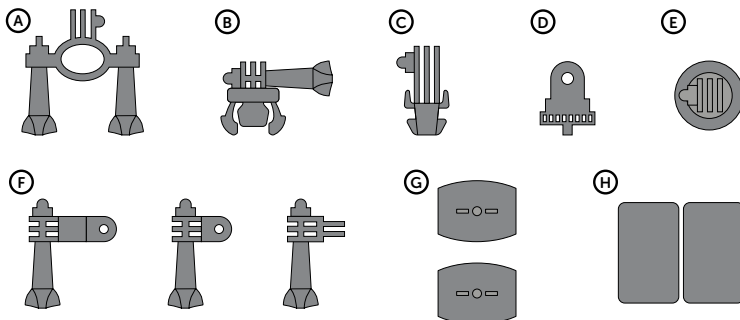
(D) Baterie Li-ion

(E) Ściereczka z mikro włókna

(F) Ramka

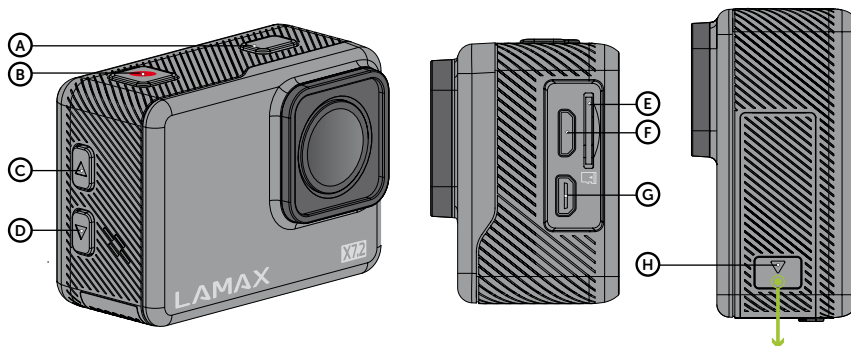
(G) Uchwyty

## UCHWYTY



- A** Uchwyt na kijek – do mocowania np. do kierownicy
- B** Fast plug-in – szybkie wpinanie uchwytu
- C** J mount – do szybkiego wpięcia z podwyższeniem
- D** Redukcja do statywu – do podłączenia kamery bez etui na akcesoria
- E** Adapter na statyw – do podłączenia kamery w etui do statywu
- F** 3-axis connector (3 części) – do zamocowania w dowolnym kierunku
- G** Uchwyt samoprzylepny (2x) – do mocowania do gładkiej powierzchni (kask, maska)
- H** Dodatkowe podkładki 3M (2x) – do ponownego przyklejenia uchwytu samoprzylepnego

## 2. ZAPOZNANIE Z KAMERĄ



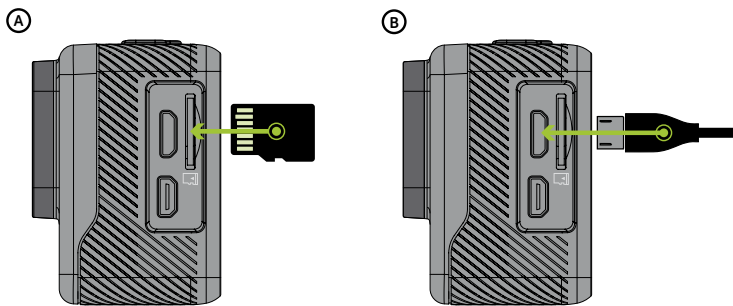
- A** Przycisk POWER / MODE
- B** Przycisk REC / OK
- C** Przycisk W GÓRĘ
- D** Przycisk W DÓŁ
- E** Slot na kartę pamięci
- F** Micro USB port
- G** Video out
- H** Pokrywa do baterii

**Uwaga:** Używaj tylko zalecanych akcesoriów, w przeciwnym razie kamera może ulec uszkodzeniu.

### 3. OBSŁUGA KAMERY

Włączenie i wyłączenie	Przytrzymując przycisk POWER / MODE
Uruchomienie / zakończenie nagrywania	Naciskając przycisk REC / OK
Przełączenie trybu	Naciskając przycisk POWER / MODE
Włączenie / wyłączenie nagrywania dźwięku	Naciskając przycisk W GÓRĘ
Szybkie menu	Przytrzymując przycisk REC / OK
Włączenie / wyłączenie WIFI	Naciskając przycisk W DÓŁ

### 4. PIERWSZE WŁĄCZENIE



#### Ⓐ WŁÓŻ KARTĘ MICROSD DO KAMERY ZGODNIE Z RYSUNKIEM (ZŁĄCZA SKIEROWANE DO OBIEKTYWU)

- Kartę należy wkładać tylko wtedy, gdy kamera jest wyłączona i nie jest podłączona do komputera.
- Używając karty po raz pierwszy, sformatuj ją bezpośrednio w kamerze.
- Polecamy karty pamięci o wyższej szybkości zapisu (UHS Speed Class – U3 i wyższa) i maksymalnej pojemności 128 GB.

**Uwaga:** Używaj wyłącznie kart Micro SDHC lub SDXC renomowanych producentów. Karty producentów nieznanego pochodzenia nie gwarantują właściwego działania miejsca zapisu danych.

#### Ⓑ PODŁĄCZ KAMERĘ DO ZASILANIA

- Kamerę można ładować przez podłączenie do komputera lub za pomocą dodatkowo zakupionej ładowarki sieciowej.
- Przed pierwszym użyciem całkowicie naładuj baterie.
- Ładowanie baterii od 0 do 100% trwa około 4 godzin. Po naładowaniu wskaźnik ładowania zgaśnie.

**Uwaga:** Ładowanie baterii od 0 do 80% trwa około 2,5 godzin.

## 5. USTAWIENIE W TRYBIE VIDEO

<b>Rozdzielczość wideo</b>	Ustawienie rozdzielczości i FPS (liczba klatek na sekundę), w których kamera będzie nagrywać.
<b>Stabilizacja obrazu</b>	Włączenie/wyłączenie stabilizacji MAXsmooth, która jest dostępna we wszystkich rozdzielczościach przy maksymalnie 60 fps. Gdy stabilizacja jest włączona, kąt widzenia (FOV) jest mniejszy i może również negatywnie wpływać na jakość wideo w złych warunkach oświetleniowych. Nie można łączyć z funkcją korekcji rybiego oka.
<b>Zapis dźwięku</b>	Ustawienie, czy kamera ma nagrywać dźwięk.
<b>Redukcja szumu wiatru</b>	Funkcja poprawi nagrywany dźwięk przy silnym wietrze.
<b>Ekspozycja</b>	Ustawienia kompensacji ekspozycji. Wyższa wartość oznacza jaśniejsze wideo, niższa wartość oznacza ciemniejsze wideo.
<b>Pomiar</b>	Ustawianie metody pomiaru ekspozycji. Do wyboru są dwa tryby, „Środek” i „Średnica”. <ul style="list-style-type: none"><li>➤ <b>Środek</b> – To ustawienie jest odpowiednie do nagrywania obiektów, które będą znajdować się głównie w środku kadru.</li><li>➤ <b>Średnia</b> – W tym ustawieniu kamera pobiera informacje o świetle z całości sceny i ustawi wartości średnie.</li></ul>
<b>Data na wideo</b>	Włącza/wyłącza wstawienie daty i godziny w nagrany wideo.

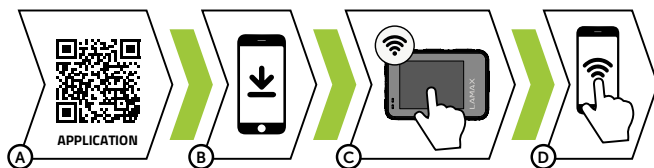
## 6. USTAWIENIE W TRYBIE ZDJĘCIA

<b>Rozdzielczość zdjęcia</b>	Ustawianie rozdzielczości wykonywanych zdjęć.
<b>Jakość obrazu</b>	Ustawienie jakości zdjęcia. Końcowe ustawienia wpłyną również na wielkość zapisywanych plików.
<b>ISO</b>	Ustawienie wartości ISO. Ustawiona wartość ISO określa czułość na światło. Im wyższa wartość, tym jaśniejsze zdjęcie.
<b>Ekspozycja</b>	Ustawienia kompensacji ekspozycji. Wyższa wartość oznacza jaśniejsze zdjęcie, niższa wartość oznacza ciemniejsze zdjęcie.
<b>Pomiar</b>	Ustawianie metody pomiaru ekspozycji. Do wyboru są dwa tryby, „Środek” i „Średnica”. <ul style="list-style-type: none"><li>➤ <b>Środek</b> – To ustawienie jest odpowiednie do nagrywania obiektów, które będą znajdować się głównie w środku kadru.</li><li>➤ <b>Średnia</b> – W tym ustawieniu kamera pobiera informacje o świetle z całości sceny i ustawi wartości średnie.</li></ul>
<b>Data</b>	Włącza/wyłącza wstawienie daty i godziny w wykonany zdjęciu.

## 7. USTAWIENIE KAMERY

<b>Częstotliwość sieci</b>	Umożliwia wybór częstotliwości zgodnie z częstotliwością sieci (na kontynencie europejskim prąd sieciowy wynosi 50 Hz, w Ameryce i części Azji 60 Hz).
<b>Dźwięk</b>	Włączenie/wyłączenie dźwięków systemowych kamery i ich głośność.
<b>Kąt</b>	Ustawianie kąta widzenia kamery
<b>Tryb nurkowania</b>	Włączenie/wyłączenie trybu nurkowania. Gdy tryb jest włączony, kamera wyrównuje kolorystykę zdjęć podwodnych.
<b>Efekt</b>	Ustawianie trybów kolorów.
<b>LDC</b>	Usuwanie efektu rybiego oka.
<b>Tryb jazdy</b>	Tryb jazdy aktywuje automatyczne włączenie nagrywania natychmiast po włączeniu kamery.
<b>Mikrofon</b>	Wybór między wbudowanym a zewnętrznym mikrofonem. Aby mikrofon zewnętrzny działał, musi być podłączony do portu microUSB.
<b>Obrót obrazu</b>	Ustawienie obrotu obrazu o 180°.
<b>Wygaszacz ekranu</b>	Ustawia czas, po którym wyświetlacz wyłączy się automatycznie w celu oszczędzania baterii. Dotykając wyświetlacz lub naciskając przyciski ponownie aktywujemy wyświetlacz.
<b>Automatyczne wyłączenie</b>	Ustawianie automatycznego wyłączenia kamery podczas braku aktywności. Włączona funkcja wyłączy kamerę, jeśli nie jest nagrywane wideo.
<b>Częstotliwość</b>	Umożliwia wybór częstotliwości zgodnie z częstotliwością sieci (na kontynencie europejskim prąd sieciowy wynosi 50 Hz, w Ameryce i części Azji 60 Hz).
<b>Balans bieli</b>	Dostosuj balans bieli dla różnych sposobów oświetlenia sceny.
<b>Data i godzina</b>	Ustawienie systemowej daty i godziny.
<b>Język</b>	Wybór języka
<b>Formatuj kartę</b>	Skasowanie wszystkich danych na karcie pamięci.
<b>System</b>	Umożliwia dostęp do informacji o oprogramowaniu kamery, informacji o karcie pamięci, a także umożliwia przywrócenie ustawień fabrycznych kamery.

## 8. WIFI – APLIKACJA MOBILNA



Dzięki aplikacji mobilnej będziesz mógł zmieniać tryby i ustawienia kamery czy przeglądać i pobierać nagrane filmy i zdjęcia bezpośrednio na swoje urządzenie mobilne.

- A** Zeskanuj kod QR, aby pobrać aplikację lub kliknij poniższy link:  
<https://www.lamax-electronics.com/x72/app/>
- B** Zainstaluj aplikację na swoim urządzeniu mobilnym.
- C** Włącz WiFi w kamerze, naciskając przycisk W DÓŁ.
- D** Na swoim urządzeniu mobilnym połącz się z siecią Wi-Fi z nazwą kamery. Hasło WiFi jest wyświetlane na wyświetlaczu kamery (fabrycznie 1234567890).

## 9. WODOODPORNOŚĆ

**Oporność na zanurzenie w wodzie jest spełniona w następujących warunkach:**

### KAMERA SPORTOWA:

Kamera jest wodoodporna tylko wtedy, gdy jest umieszczona w wodoszczelnym etui.

### ETUI WODOODPORNE:

Etui wytrzymałe zanurzenie na głębokość 40 metrów. Przed użyciem kamery w etui upewnij się, że tylne drzwiczki etui są prawidłowo zamknięte za pomocą mechanizmu na górze etui. Pokrywa etui i uszczelka muszą być wolne od wszelkich zabrudzeń, takich jak kurz, piasek itp. W przypadku używania w stonej wodzie przepłucz etui wodą pitną. Do wysuszenia nie używaj żadnych materiałów tekstylnych ani zewnętrznych źródeł ciepła (suszarki do włosów, kuchenki mikrofalowej itp.), zawsze pozwól etui wyschnąć powoli. Podczas korzystania z wodoodpornego etui nie można korzystać z ekranu dotykowego wyświetlacza kamery, a kamerę należy obsługiwać za pomocą przycisków.

### PILOT ZDALNEGO STEROWANIA:

Nie jest wodoodporny.



## 10. ŚRODKI BEZPIECZEŃSTWA

**Przed pierwszym użyciem, użytkownik zobowiązany jest do zapoznania się z zasadami bezpiecznego korzystania z produktu.**

### ŚRODKI OSTROŻNOŚCI I UWAGI

- Dla własnego bezpieczeństwa nie zmieniaj ustawień kamery podczas prowadzenia pojazdu.
- Do używania kamery w samochodzie musisz posiadać mocowanie na szybę. Kamerę zamocuj w takim miejscu, aby nie zasłaniała widoku kierowcy ani nie stanowiła przeszkody dla ewentualnego otwarcia poduszek powietrznych.
- Żaden przedmiot nie powinien blokować obiektywu kamery, a w jego pobliżu nie powinny znajdować się materiały odbijające światło. Utrzymuj obiektyw w czystości.
- Przyciemniana przednia szyba samochodu może wpływać na jakość nagrywania.

### ŚRODKI OSTROŻNOŚCI DOTYCZĄCE BEZPIECZEŃSTWA

- Nie używaj ładowarki w miejscach o dużej wilgotności. Nie dotykaj ładowarki mokrymi rękami lub kiedy stoisz w wodzie.
- Jeśli używasz ładowarki do zasilania urządzenia lub ładowania baterii, zapewnij odpowiednią wentylację jego otoczenia. Nie przykrywaj ładowarki papierem ani innymi przedmiotami, aby nie ograniczać jego chłodzenia. Nie używaj ładowarki, gdy znajduje się ona w torbie do przenoszenia.
- Ładowarkę podłączaj jedynie do odpowiedniego źródła zasilania. Wymagania dotyczące napięcia znajdują się na obudowie i/lub opakowaniu produktu.
- Nie używaj ładowarki z uszkodzonym przewodem. W przypadku uszkodzenia nie podejmuj się jej samodzielnej naprawy!
- W razie nadmiernego nagrzewania urządzenia, natychmiast odłącz je od zasilania energii.
- Urządzenie należy ładować pod nadzorem.
- Opakowanie zawiera małe elementy, które mogą być niebezpieczne dla dzieci. Zawsze przechowuj produkt w miejscu niedostępnym dla dzieci. Torebki, jak i liczne drobne elementy, które się w nich znajdują, mogą spowodować zadławienie w przypadku ich połknięcia.

### ŚRODKI OSTROŻNOŚCI W UŻYTKOWANIU LI-ION BATERII


- Przed pierwszym użytkowaniem w pełni naładuj baterię.
- W celu ładowania korzystaj wyłącznie z ładowarki, która jest przeznaczona do danego typu baterii.
- Wykorzystuj standardowe kable do zasilania. W innym przypadku urządzenie mogłoby ulec uszkodzeniu.
- W żadnym razie nie podłączaj do ładowarki baterii, która została mechanicznie uszkodzona lub posiada zniekształconą (wypukłą) powierzchnię. Baterii w takim stanie nie należy już w ogóle wykorzystywać, ponieważ zagraża niebezpieczeństwem wybuchu.
- Nie korzystaj z jakiegokolwiek uszkodzonego adaptera sieciowego lub ładowarki.
- Ładowanie powinno przebiegać w temperaturze pokojowej. Nigdy nie ładuj przy temperaturze niższej niż 0°C lub wyższej niż 40°C.
- Chroń baterię przed upadkiem, nie przekłuwaj jej ani nie doprowadzaj do jej uszkodzenia w żaden inny sposób. Nie próbuj samodzielnie naprawiać uszkodzonej baterii.
- Nie narażaj ładowarki ani baterii na oddziaływanie wilgoci, wody, deszczu, śniegu czy też innych opadów.
- Nie pozostawiaj baterii w samochodzie, nie wystawiaj jej na światło słoneczne ani nie umieszczaj jej w pobliżu źródła ciepła. Silne światło czy też wysokie temperatury mogą uszkodzić baterię.
- Podczas ładowania nigdy nie pozostawiaj akumulatorów bez nadzoru. Zwarcie lub nadmierne naładowanie (akumulatora nieodpowiedniego do szybkiego ładowania, ładowanego prądem o nadmiernym nasileniu lub podczas awarii ładowarki) może spowodować wyciek agresywnych substancji chemicznych, eksplozję, a w konsekwencji pożar!
- W sytuacji, kiedy podczas ładowania baterii dojdzie do jej nadmiernego ogrzewania, natychmiast odłącz baterię.

- Ładowarka oraz zasilany akumulator nie umieszczaj podczas ładowania na lub w okolicy przedmiotów łatwopalnych. Uwaga na zasłony, dywany, obrusy itd.
- Jak tylko urządzenie jest w pełni naładowane, odłącz je ze względów bezpieczeństwa.
- Przechowuj baterię poza zasięgiem dzieci i zwierząt.
- Nigdy nie próbuj rozebrać ładowarki ani baterii.
- Jeżeli bateria jest wbudowana, nigdy nie próbuj rozebrać urządzenia, o ile nie zostało ustanowione inaczej. Jakakolwiek próba tego rodzaju wiąże się z ryzykiem uszkodzenia produktu, a w konsekwencji również utratą gwarancji.
- Nie wyrzucaj zużytych lub uszkodzonych baterii do kosza, ognia czy urządzeń grzewczych, ale przekaż ją do punktów zbioru niebezpiecznych odpadów.

## KONSERWACJA URZĄDZENIA

- Konserwacja urządzenia zapewni bezproblemowe działanie i zmniejszy niebezpieczeństwo uszkodzenia.
- Chroń urządzenie przed nadmierną wilgocią i ekstremalnymi temperaturami oraz unikaj zbyt długiego wystawiania go na działanie bezpośredniego światła słonecznego lub silnego światła ultrafioletowego.
- Chroń urządzenie przed upuszczeniem lub narażeniem na silne uderzenia.
- Nie wystawiaj urządzenia na działanie nagłych i dużych zmian temperatury. Mogłoby to spowodować nagromadzenie wilgoci wewnątrz urządzenia, a w rezultacie jego uszkodzenie. W przypadku nagromadzenia wilgoci, zaczekaj do całkowitego wyschnięcia urządzenia przed jego użyciem.
- Powierzchnię ekranu łatwo zarysować. Nie dopuszczaj do kontaktu powierzchni ekranu z ostrymi przedmiotami.
- Nigdy nie czyść urządzenia, kiedy jest uruchomione. Do wycierania ekranu i zewnętrznych części urządzenia używaj miękkiej, niepozostawiającej włókien szmatki. Do czyszczenia ekranu nie używaj ręczników papierowych.
- Nie podejmuj prób demontażu, naprawy ani modyfikacji urządzenia. Demontaż, modyfikacje lub próba naprawy mogą spowodować uszkodzenie urządzenia i utratę gwarancji, a nawet obrażenia ciała oraz uszkodzenie własności.
- Nie przechowuj ani nie przenoś łatwopalnych cieczy, gazów lub materiałów wybuchowych w miejscu przechowywania urządzenia, jego części lub akcesoriów.
- Aby nie stwarzać okazji do kradzieży, nie zostawiaj urządzenia ani akcesoriów na widoku w pojeździe pozabawionym nadzoru.
- Przegrzanie może spowodować uszkodzenie urządzenia.
- W przypadku kontaktu z silnie chlorowaną lub morską wodą opłukać kamerę oraz wszystkie używane akcesoria, wodą pitną i wysuszyć.
- Do suszenia kamery nie stosować zewnętrznego źródła ciepła, takiego jak kuchenka mikrofalowa lub suszarka do włosów.
- Przed pływaniem lub nurkowaniem zawsze upewnić się, czy nie jest otwarta pokrywa baterii lub pokrywa portów zasilania. Jeżeli tak, zamknąć je. W przeciwnym razie kamera nie będzie wodoszczelna.
- Wyświetlacz dotykowy wycierać tylko szmatką do tego przeznaczoną, aby uniknąć jego podrapania.

## POZOSTAŁE INFORMACJE

1) Symbol przekreślonego kontenera  zamieszczony na produkcie lub w dokumentacji towarzyszącej oznacza, że po zakończeniu eksploatacji nie należy pozbywać się urządzenia elektrycznego lub elektronicznego wraz z odpadami komunalnymi. Produkt należy dostarczyć do odpowiedniego punktu zbiórki urządzeń elektrycznych i elektronicznych przeznaczonych do recyklingu w celu jego właściwej utylizacji. W miejscu zbiórki produkt zostanie przyjęty bezpłatnie. Dzięki prawidłowej utylizacji tego produktu pomagasz zachować cenne zasoby naturalne oraz przeciwdziałasz potencjalnemu negatywnemu wpływowi na środowisko oraz ludzkie zdrowie, co może być skutkiem niewłaściwej utylizacji odpadów. Aby uzyskać więcej informacji, prosimy o kontakt z lokalnymi władzami lub w najbliższym punkcie zbiórki. Pozbywanie się odpadów tego rodzaju w nieprawidłowy sposób jest zagrożone karą przewidzianą w odpowiednich przepisach państwowych. Informacja dla użytkowników,

dotycząca użycia sprzętu elektrycznego i elektronicznego (w przypadku zastosowania w przedsiębiorstwach i firmach): Szczegółowe informacje na temat prawidłowej użycia sprzętu elektrycznego i elektronicznego, możesz uzyskać u swojego sprzedawcy lub dostawcy. Informacja dla użytkowników dotycząca użycia sprzętu elektrycznego i elektronicznego w państwach spoza Unii Europejskiej: Powyższy symbol (przekreślony kontener) obowiązuje wyłącznie w Unii Europejskiej. Szczegółowe informacje na temat prawidłowej użycia sprzętu elektrycznego i elektronicznego możesz uzyskać w swoim urządzeniu lub u sprzedawcy urządzenia. Wszystko zostało określone za pomocą symbolu przekreślonego kontenera na produkcie, opakowaniu lub w dokumentacji towarzyszącej.

2) Roszczenia gwarancyjne dotyczące urządzeń składaj w miejscu zakupu. W przypadku problemów technicznych lub pytań, skontaktuj się ze sprzedawcą, który poinformuje cię o dalszym postępowaniu. Należy dotrzymać zasady pracy z urządzeniami elektrycznymi, a zasilający przewód elektryczny podłączać tylko do odpowiednich gniazdek elektrycznych. Użytkownik nie jest upoważniony do demontowania urządzenia ani wymiany jakiegokolwiek jego części. Przy otwarciu lub usunięciu osłon grozi niebezpieczeństwo porażenia prądem elektrycznym. Niewłaściwy montaż urządzenia i jego ponowne połączenie może również spowodować porażenie prądem elektrycznym.

Okres gwarancji na produkty wynosi 24 miesiące, o ile nie ustalono inaczej. Gwarancja nie obejmuje uszkodzeń spowodowanych niestandardowym użytkowaniem, uszkodzeń mechanicznych, narażenia na działanie agresywnych warunków, obchodzenia się niezgodnie z instrukcją oraz normalnego zużycia. Okres gwarancji na akumulator wynosi 24 miesiące, na jego pojemność 6 miesięcy. Więcej informacji na temat gwarancji można znaleźć na stronie [www.elem6.com/warranty](http://www.elem6.com/warranty)

Producent, importer lub dystrybutor nie ponosi odpowiedzialności za jakiegokolwiek szkody spowodowane montażem lub niewłaściwym użytkowaniem produktu.

## EU DEKLARACJA ZGODNOŚCI

Firma elem6 s.r.o. niniejszym deklaruje, że LAMAX X7.2 są zgodne z podstawowymi wymogami i innymi odpowiednimi przepisami dyrektywy 2014/30/UE i 2014/53/UE. Produkty LAMAX są przeznaczone do sprzedaży bez ograniczenia w Niemczech, Czechach, na Słowacji, w Polsce, na Węgrzech i innych krajach członkowskich UE. Deklarację zgodności można pobrać z internetu <https://www.lamax-electronics.com/support/doc/>

- ▶ Pasmo częstotliwości w którym urządzenie pracuje: 2.41–2.475 GHz
- ▶ Maksymalny poziom mocy wysyłany w paśmie częstotliwości, w którym radiowe urządzenie działa: 6 dBi

## PRODUCENT:

elem6 s.r.o., Braškovská 308/158, 161 00 Praha 6  
[www.lamax-electronics.com](http://www.lamax-electronics.com)



**Błędy w druku oraz zmiany w instrukcji obsługi zastrzeżone.**

# LAMAX

ELECTRONICS

---

# LAMAX X7.2

ACTION CAMERA



---

HU – Használati útmutató

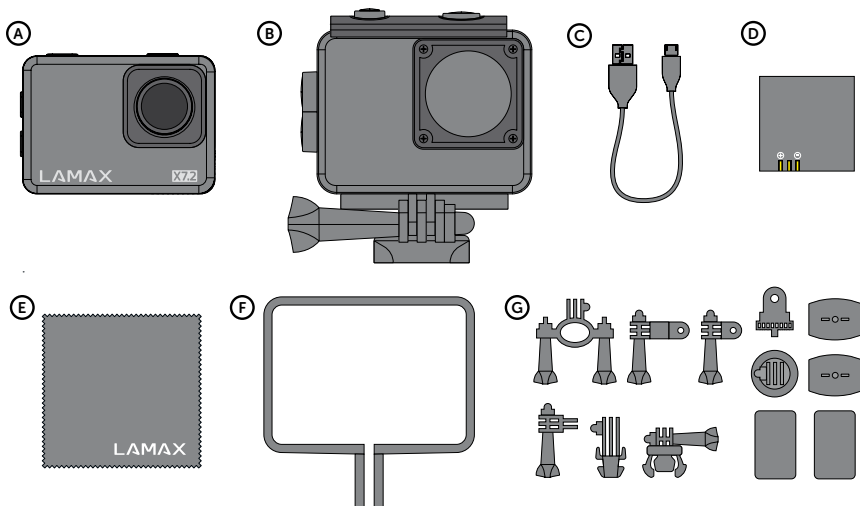
---

## TARTALOM

1. A CSOMAGOLÁS TARTALMA.....	2
2. MEGISMERKEDÉS A KAMERÁVAL.....	3
3. A KAMERA VEZÉRLÉSE.....	4
4. ELSŐ BEKAPCSOLÁS.....	4
5. BEÁLLÍTÁSOK VIDEO MÓDBAN.....	5
6. BEÁLLÍTÁSOK FÉNYKÉP ÜZEMMÓDBAN.....	5
7. KAMERA BEÁLLÍTÁSOK.....	6
8. WIFI – MOBIL ALKALMAZÁS.....	7
9. VÍZÁLLÓSÁG.....	7
10. BIZTONSÁGI INTÉZKEDÉSEK.....	8

---

### 1. A CSOMAGOLÁS TARTALMA



**A** LAMAX X7.2 akciókamera

**B** 40 m-ig vízálló tok

**C** Micro USB-kábel töltéshez / fájltvitel

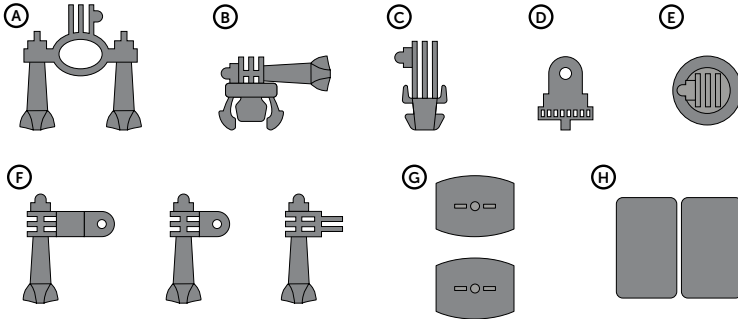
**D** Li-ion akkumulátor

**E** Mikroszálal kendő

**F** Keret

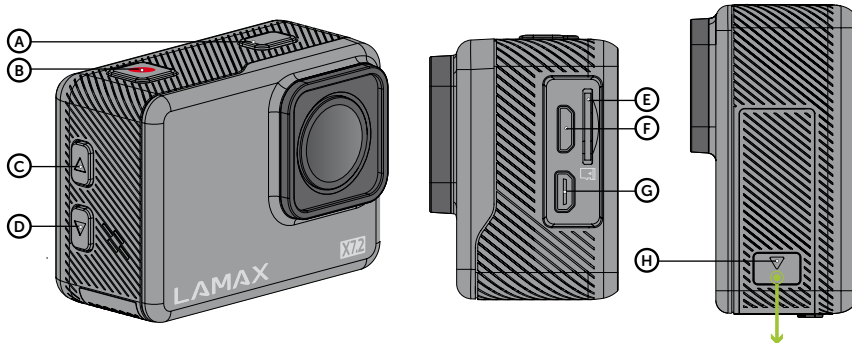
**G** Markolatok

## MARKOLATOK



- A** Tartó rúdra – például a kormányra rögzítéshez
- B** Fast plug-in – gyors bepattintáshoz
- C** J mount – a gyors bepattintás érdekében, emeléssel együtt
- D** Állványszűkítő adapter – tok nélküli kamera tartozékra csatlakoztatásához
- E** Állványadapter – tokban lévő kamera állványra csatlakoztatásához
- F** 3 tengelyes csatlakozó (3 rész) – tetszőleges irányú felszereléshez
- G** Öntapadó konzol (2x) – sima felületekre (sisak, motorháztető) szereléshez
- H** Tartalék 3M matrica (2x) – az öntapadó tartó újbóli rögzítéséhez

## 2. MEGISMERKEDÉS A KAMERÁVAL



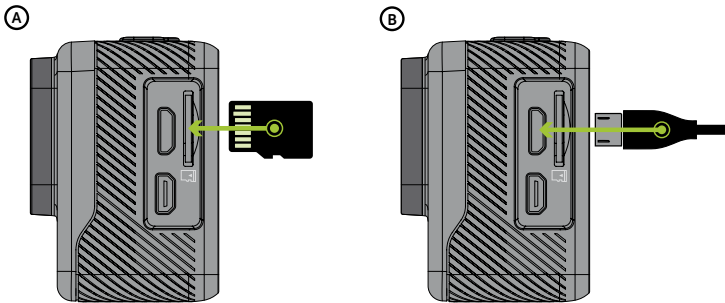
- A** POWER / MODE gomb
- B** REC / OK gomb
- C** FEL gomb
- D** LE gomb
- E** Memóriakártya-nyílás
- F** Micro USB port
- G** Video out
- H** Elemház fedél

**Megjegyzés:** Kizárólag ajánlott tartozékokat használjon, ellenkező esetben a kamera megsérülhet.

### 3. A KAMERA VEZÉRLÉSE

<b>Be- és kikapcsolás</b>	Tartsa lenyomva a POWER / MODE gombot
<b>Felvételkészítés indítása / leállítása</b>	Nyomja meg a REC / OK gombot
<b>Üzem módváltás</b>	Nyomja meg a POWER / MODE gombot
<b>Hangfelvétel készítés be-/kikapcsolása</b>	Nyomja meg a FEL gombot
<b>Gyors ajánlat</b>	Tartsa lenyomva a REC / OK gombot
<b>WiFi be-/kikapcsolása</b>	Nyomja meg a LE gombot

### 4. ELSŐ BEKAPCSOLÁS



#### Ⓐ HELYEZZE A MICROSD-KÁRTYÁT A KAMERÁBA AZ ÁBRÁN LÁTHATÓ MÓDON (CSATLAKOZÓKKAL AZ OBJEKTÍV FELÉ FORDÍTVA)

- Csak akkor helyezze be a kártyát, ha a kamera ki van kapcsolva, és nincs a számítógéphez csatlakoztatva.
- Az első használat alkalmával közvetlenül a kamerában formázza meg a kártyát.
- Ajánlott nagyobb írási sebességű és max. 128 GB kapacitású memóriakártyát használni (UHS Speed Class – U3 és nagyobb).

**Megjegyzés:** Kizárólag neves gyártók Micro SDHC vagy SDXC kártyáit használja. A nem neves gyártók kártyái nem garantálják az adattár helyes működését.

#### Ⓑ CSATLAKOZTASSA A KAMERÁT A TÁPHOZ

- A kamerát vagy a számítógéphez csatlakoztatva, vagy megvásárolható hálózati adapterrel töltheti.
- Az első használat előtt tölts fel teljesen az akkut.
- Az akkumulátor teljes feltöltése 0-ról 100%-ra kb. 4 órát vesz igénybe. A feltöltést követően a töltésjelző kialszik.

**Megjegyzés:** Az akkumulátor 0-ról 80%-ra töltése 2,5 órát vesz igénybe.

## 5. BEÁLLÍTÁSOK VIDEO MÓDBAN

<b>Videó felbontás</b>	A felbontás és az FPS (képkocka/másodperc) értékek beállítása, amelyekkel a kamera rögzít.
<b>Képstabilizálás</b>	Legfeljebb 60 kép/mp fps mellett minden felbontásban rendelkezésre álló MAXsmooth stabilizálás be/kikapcsolása. Bekapcsolt stabilizálás esetén a látószög (FOV) kisebb, és rossz fényviszonyok esetén akár hátrányosan is befolyásolhatja a videofelvétel minőségét. Nem kombinálható a halszemjavító funkcióval.
<b>Hangrögzítés</b>	Annak beállítása, hogy rögzítsen-e a kamera hangot.
<b>Szélzaj csökkentés</b>	A funkció erős szélben javítja a rögzített hangot.
<b>Expozíció</b>	Expozíció-kompenzációs beállítások. A magasabb érték világosabb, az alacsonyabb pedig sötétebb videofelvételt jelent.
<b>Mérés</b>	Expozíció mérési mód beállítása. Két mód közül választhatasz: „Közép” és „Átlag”: <ul style="list-style-type: none"><li>› <b>Közép</b> – Ez a beállítás olyan tárgyak felvételére alkalmas, amelyek túlnyomó részt a felvétel közepén lesznek majd.</li><li>› <b>Átlag</b> – E beállítás esetén a kamera az egész jelenet kapcsán információkat szerez a fényviszonyokról, és beállítja az átlagos értékeket.</li></ul>
<b>Dátum a videóban</b>	Dátum és idő adat videofelvételeken való elhelyezésének be-/kikapcsolása.

## 6. BEÁLLÍTÁSOK FÉNYKÉP ÜZEMMÓDBAN

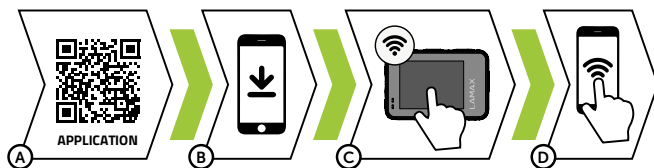
<b>Fényképfelbontás</b>	A készített fényképek felbontásának beállítása.
<b>Képmínőség</b>	Fényképmínőség beállítása. Az így kapott beállítások a mentett fájlok méretét is befolyásolják.
<b>ISO</b>	Az ISO érték beállítása. A beállított ISO érték meghatározza a fényérzékenységet. Minél nagyobb az érték, annál világosabb a kép.
<b>Expozíció</b>	Expozíció-kompenzációs beállítások. A nagyobb érték világosabb, az alacsonyabb érték sötétebb fényképet jelent.
<b>Mérés</b>	Expozíció mérési mód beállítása. Két mód közül választhatasz: „Közép” és „Átlag”: <ul style="list-style-type: none"><li>› <b>Közép</b> – Ez a beállítás olyan tárgyak felvételére alkalmas, amelyek túlnyomó részt a felvétel közepén lesznek majd.</li><li>› <b>Átlag</b> – E beállítás esetén a kamera az egész jelenet kapcsán információkat szerez a fényviszonyokról, és beállítja az átlagos értékeket.</li></ul>
<b>Dátum</b>	Dátum és idő adat fényképeken való elhelyezésének be-/kikapcsolása.



## 7. KAMERA BEÁLLÍTÁSOK

<b>Hálózati frekvencia</b>	Az elektromos hálózat frekvenciájának megfelelő frekvencia kiválasztását teszi lehetővé (az európai kontinensen a hálózatban az áram 50 Hz-es, Amerikában és Ázsia egyes részein 60 Hz-es).
<b>Hangok</b>	A kamera rendszerhangjainak és hangerejének be-/kikapcsolása.
<b>Szög</b>	A kamera szögének beállítása.
<b>Búvár mód</b>	Búvár üzemmód be-/ki kapcsolása. Bekapcsolt üzemmód esetén a kamera kompenzálja a víz alatti felvételek elszíneződését.
<b>Hatás</b>	Színmód beállítások.
<b>LDC</b>	Halszem szűkítés
<b>Vezetési mód</b>	A Vezetés mód a kamera bekapcsolása után azonnal aktiválja az automatikus felvételkedzítést.
<b>Mikrofon</b>	Választhat sz beépített és külső mikrofon között. Működéséhez a külső mikrofont microUSB portra kell csatlakoztatni.
<b>Képforgatás</b>	A kép 180°-os elforgatásának beállítása.
<b>Képernyőkímélő</b>	Beállítja azt az időt, amely leteltét követően a kijelző az akkumulátor kímélése érdekében automatikusan kikapcsol. Érintse meg a kijelzőt, vagy nyomja meg a gombokat a kijelző újraaktiválásához.
<b>Automatikus kikapcsolás</b>	A kamera automatikus kikapcsolásának beállítása tétlenség esetén. Bekapcsolt állapotban a kamera kikapcsol, ha nem rögzít videót.
<b>Frekvencia</b>	Az elektromos hálózat frekvenciájának megfelelő frekvencia kiválasztását teszi lehetővé (az európai kontinensen a hálózatban az áram 50 Hz-es, Amerikában és Ázsia egyes részein 60 Hz-es).
<b>Fehér egyensúly</b>	Fehér-egyensúly beállítása különböző fényviszonyok jellemezte felvétel esetén
<b>Dátum és idő</b>	Rendszerdátum és idő beállítása.
<b>Nyelv</b>	Nyelvválasztás.
<b>A kártya formázása</b>	A memóriakártyán lévő összes adat törlése.
<b>Rendszer</b>	Hozzáférést biztosít a kamera firmware-információihoz, a memóriakártya-információkhoz, valamint a kamerában visszaállíthatók a gyárilag beállított értékek.

## 8. WIFI – MOBIL ALKALMAZÁS



A mobil alkalmazás segítségével megváltoztathatja a kamera üzemmódjait és beállításait, vagy megtekintheti és közvetlenül a mobil készülékére is letöltheti a felvett videókat és rögzített fényképeket.

- (A) Az alkalmazás letöltéséhez szkennelje be a QR-kódot, vagy kattintson az alábbi linkre: <https://www.lamax-electronics.com/x72/app/>
- (B) Telepítse az alkalmazást a mobil eszközére.
- (C) A LE gomb megnyomásával kapcsolja be a kamera WiFi funkcióját.
- (D) Tcsatlakozzon rá a mobilkészülékével a kamera nevével rendelkező WiFi hálózathoz. A WiFi jelszava megjelenik a kamera képernyőjén (alapértelmezett beállítás 1234567890).

## 9. VÍZÁLLÓSÁG

**A vízbe merítéssel szembeni ellenálló képesség a következő feltételek mellett teljesül:**

### AKCIÓKAMERA:

A kamera csak akkor vízálló, ha vízálló tokban van.

### VÍZÁLLÓ TOK:

A tok 40 méteres vízoszloppal szemben ellenálló. Mielőtt a kamerát a tokban használná, ellenőrizze le, hogy a tok hátsó ajtaja a tok tetején található mechanizmus segítségével megfelelően lett-e lezárva. A tok ajtaját és tömítéseit meg kell tisztítani minden szennyeződéstől, pl. portól, homoktól, stb. Sós vízben történő használatot követően öblítse le a tokot ivóvízzel. A szárításhoz soha ne használjon semmilyen textilt, se külső hőforrást (hajszárító, mikrohullámú sütő stb.), mindig hagyja, hogy a tok lassan száradjon meg. Vízálló tok használata esetén a kamera érintőképernyőjének felülete nem használható, és a kamerát a gombokkal kell működtetni.

### TÁVIRÁNYÍTÓ:

Nem vízálló.

## 10. BIZTONSÁGI INTÉZKEDÉSEK

**Az első használat előtt a felhasználó kötelessége elsajátítani a termék biztonságos használatának alapjait.**

### FIGYELMEZTETÉSEK ÉS MEGJEGYZÉSEK

- Saját biztonsága érdekében, ne kezelje a kamerát vezetés közben.
- Használjon autós tartót az autóban való használatához. Bizonyosodjon meg róla, hogy a kamera elhelyezése nem zavarja a vezetőt a kilátásban és ne legyen a légszák útjában.
- Bizonyosodjon meg róla, hogy ne legyen semmilyen tárgy vagy tükröződő anyag a lencse látóterében. Tartsa tisztán a lencsét.
- Ha a szélvédő sötétített vagy fóliázott, az befolyásolhatja a felvétel minőségét.
- A készülék érzékeny eszköz, kérjük, óvja a leejtéstől és ütődésektől.

### BIZTONSÁGI FIGYELMEZTETÉS

- Ne használja a töltőt nedves környezetben. Ne érintse meg a töltőt, ha vizes a keze, vagy a lába.
- Ne takarja le a töltőt használat közben, biztosítson megfelelő szellőzést körülötte.
- Megfelelő csatlakozóba dugja be a töltőt. A megfelelő volt érték megtalálható a csomagoláson.
- Ne használja a töltőt, ha sérülést lát rajta, ne javítsa saját kezűleg.
- Ha túlmelegedést tapasztalna, húzza ki a töltőt a csatlakozóból.
- Az eszközt csak felügyelet mellett töltsen!
- A csomagolás apró darabkákat tartalmaz, amelyek gyermekek számára veszélyt jelenthetnek. A terméket mindig tartsa a gyermekektől elzárva. A zacskók, illetve a bennük található darabkák lenyelése fulladást okozhat.

### BIZTONSÁGI ÚTMUTATÓ AZ LI-ION AKKUMULÁTOR


- Az első használat előtt az akkumulátort teljesen töltsen fel.
- Kizárólag olyan töltőt használjon, amelyet az ilyen típusú akkumulátor feltöltésére szántak.
- A feltöltés céljából használjon szabványos kábelt, ellenkező esetben a készülék károsodhat.
- A töltőhöz soha ne csatlakoztasson mechanikusan sérült vagy felduzzadt akkumulátort. Ilyen állapotban lévő akkumulátort soha ne használjon, mivel robbanásveszélyes.
- Ne használjon sérült töltőt vagy hálózati adaptert.
- Az akkumulátort szobahőmérsékleten töltsen fel, soha ne töltsen 0°C alatti, vagy 40°C feletti hőmérsékleten.
- Ügyeljen arra, hogy az akkumulátort ne ejtse le és óvja az ütésektől és egyéb sérülésektől. A sérült akkumulátort ne kísérelje megjavítani.
- Ügyeljen arra, hogy az akkumulátor és a töltő ne legyen kitéve nedvességnek és ne kerüljön érintkezésbe folyadékokkal, esővel, hóval.
- Az akkumulátort ne tárolja a gépjárműben és tartsa távol a napfénytől és más hőforrásoktól. Az erős fény és a magas hőmérséklet károsíthatja az akkumulátort.
- Feltöltés közben ne hagyja az akkumulátort felügyelet nélkül, mivel egy esetleges rövidzárlat vagy véletlen túltöltés (megtörténhet gyorsítottásra nem alkalmas akkumulátor esetén, vagy ha az akkumulátort túlságosan magas feszültségen töltjük, vagy sérült töltő használatával) veszélyes vegyi anyagok szivárgásához, robbanáshoz, vagy tűzhoz vezethet!
- Ha az akkumulátor töltés közben túlságosan felmelegszik, azonnal kapcsolja le az áramforrásról.
- Töltés közben a töltőt és az akkumulátort soha ne helyezze gyúlékony anyagokra és tárgyakra vagy ezek közelébe. Vigyázat a függönyökre, szőnyegekre, asztalterítőkre!
- Amint a készülék teljesen feltöltődött, biztonsági okokból azonnal kapcsolja le az áramforrásról.
- Az akkumulátort tartsa távol a gyermekektől és háziállatoktól.
- A töltőt és az akkumulátort soha ne szerelje szét.
- Amennyiben az ön készüléke integrált akkumulátorral rendelkezik, soha ne szerelje szét, eltérő rendelkezés hiányában. A készülék szétszerelése kockázatos, a termék sérüléséhez és ennek következtében garanciavesztéséhez vezethet.

- A használt vagy sérült akkumulátort ne dobja a szemétkosárba, tűzbe vagy fűtőberendezésekbe, hanem szolgáltassa be a veszélyes hulladék gyűjtőhelyeken.

## A KÉSZÜLÉK GONDOZÁSA

- A megfelelő készülék használat biztosítja a hibamentes működést és csökkenti a sérülés veszélyét.
- Tartsa távol erős nedvességtől és extrém hőmérsékletektől. Ne tegye ki tartósan erős napfénynek vagy UV sugárzásnak.
- Ne dobja le vagy tegye ki rázkódásnak.
- Ne tegye ki hirtelen és ismétlődő hőmérsékletváltozásnak, ez nedvesség lecsapódást okozhat a készülék belsejében, ami tönkre teheti a készüléket. Nedvesség lecsapódás esetén használat előtt, hagyja, hogy kiszáradjon a készülék.
- A kijelző könnyen megkarcolódhat. Kerülje az érintkezést éles tárgyakkal.
- Ne tisztítsa a készüléket bekapcsolt állapotban. Használjon finom törőruhát a kijelző, valamint a külső letörülésére. Ne használjon papír törőt a kijelzőhöz.
- Ne próbálja meg szétszedni, javítani, módosítani a készüléket. Szétszedés, módosítás vagy javítási kísérlet kárt okozhat a készülékben, sérülést, anyagi kárt okozhat és megszünteti garanciát.
- Ne tároljon éghető folyadékokat, gázokat és robbanásveszélyes anyagokat a készülék, alkatrészei vagy kiegészítői mellett.
- Ne hagyja a készüléket és tartozékait szem előtt a leparkolt autóban.
- Túlmelegedés károsíthatja a készüléket.
- Ha a kamera erősen klórozott vízzel vagy tengervízzel érintkezik, öblítse le ivóvízzel és szárítsa meg.
- A kamera megszáritásához ne használjon külső hőforrást, például mikrohullámú sütőt vagy hajszárítót.
- Úzás vagy búvárkodás előtt mindig győződjön meg róla, hogy az elemek fedelét vagy a tápkábel ajtaját nem hagyta-e nyitva. Ha igen, zárja le. Máskülönben a fényképezőgép nem lesz vízhatlan.
- Az érintésképernyőt csak az e célra szolgáló törőlkendővel törölje le, hogy ne karcolódjon.

## TOVÁBBI TÁJÉKOZTATÁS

1) Háztartások részére: A terméken vagy kísérő dokumentációban lévő jelölés  azt jelenti, hogy az elektromos vagy elektronikus terméket az életciklusa végén külön gyűjtőbe kell kidobni, nem szabad a háztartási hulladékba rakni. A termék megfelelő likvidálásával segíti megőrizni az értékes természeti forrásokat és segíti megelőzni az esetleges negatív hatásokat a környezetre és emberi egészségre, amit a hulladék nem megfelelő likvidálása okozhatna. További részletekért forduljon a helyi hatóságokhoz vagy a legközelebbi gyűjtőhelyre. A termék nem megfelelő likvidálása miatt a nemzeti törvények értelmében bírság is kiszabható. Tájékoztató az elektromos vagy elektronikus termékek likvidálásával kapcsolatban az Európai Közösségen kívüli államokban élő felhasználók részére: A terméken látható jelölés (áthúzott kuka) csupán az Európai tagállamokban érvényes. Az elektromos és elektronikus termékek megfelelő likvidálásával kapcsolatban kérjen részletes tájékoztatást a helyi hatóságoktól vagy a termék értékesítőjétől. Mindent kifejez az áthúzott kuka jelölése a terméken, csomagoláson vagy nyomtatott dokumentumokon.

2) A berendezés garanciális javítás igényét érvényesítse a forgalmazónál. Műszaki problémák és kérdések esetén lépjen kapcsolatba az értékesítővel, aki tájékoztatja Önt a további lépésekről. Tartsa be az elektromos berendezésekre vonatkozó előírásokat. A felhasználó nem jogosult a berendezés szétszerelésére sem bármely részének cseréjére. Amennyiben a borítást felnyitja vagy eltávolítja, az áramütés veszélyének teszi ki magát. A berendezés nem megfelelő összerakása és ismételt csatlakoztatása esetén is áramütés veszélyének teszi ki magát.

A termékekre vonatkozó jótállási idő 24 hónap, hacsak nincs másként meghatározva. A jótállás nem vonatkozik a nem standard használat, mechanikus hatások, agresszív körülmények, valamint a használati útmutatóval ellentétes használat okozta sérülésekre, illetve a standard kopásra. Az akkumulátorra nyújtott jótállás időtartama 24 hónap, a kapacitására 6 hónap. A garanciával kapcsolatos további információkért látogasson el a [www.elem6.com/warranty](http://www.elem6.com/warranty) weboldalra.

Sem a gyártó, sem az importőr, sem a forgalmazó nem felelnek a termék összeszerelése vagy helytelen használata okozta károkért.

### **EU MEGFELELŐSÉGI NYILATKOZAT**

Az elem6 s.r.o. cég ezúton kijelenti, hogy minden LAMAX X7.2 fogyasztó megfelel a 2014/30/EK, illetve a 2014/53/EU irányelvek alapkövetelményeinek és mindent további vonatkozó rendelkezésének. A termékek TrueLife korlátlanul forgalmazhatók Németországban, a Cseh Köztársaságban, Szlovákiában, Lengyelországban, Magyarországon és az EU többi tagállamában. A megfelelőségi nyilatkozat letölthető a <https://www.lamax-electronics.com/support/doc/> oldalról.

- Pasmó częstotliwości w którym urządzenie pracuje: 2.41–2.475 GHz
- Maksymalny poziom mocy wysyłany w paśmie częstotliwości, w którym radiowe urządzenie działa: 6 dBi

### **GYÁRTÓ:**

elem6 s.r.o., Braškovská 308/158, 161 00 Praha 6  
[www.lamax-electronics.com](http://www.lamax-electronics.com)



**A nyomdai elírások miatt tévedés joga fenntartva.**

# LAMAX

ELECTRONICS

---

# LAMAX X7.2

ACTION CAMERA



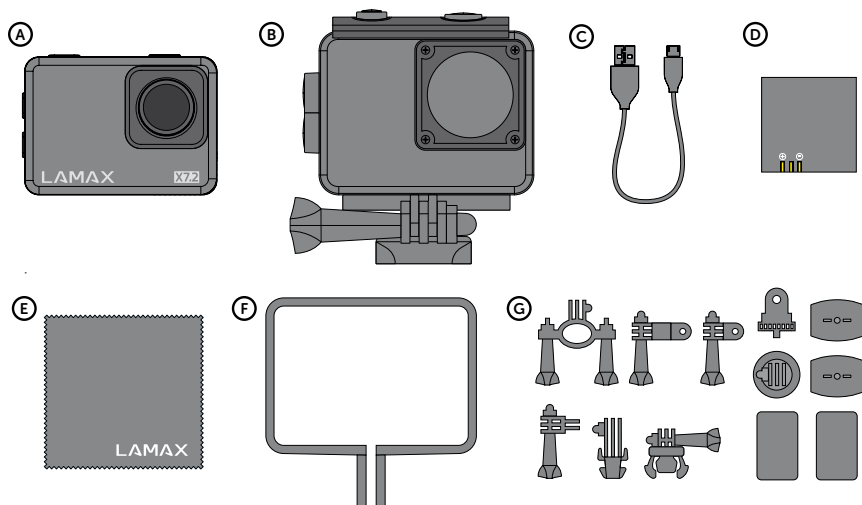
---

SL – Uporabniški priročnik

## VSEBINA

1. VSEBINA PAKIRANJA.....	2
2. SPOZNAVANJE KAMERE.....	3
3. UPRAVLJANJE KAMERE.....	4
4. PRVI VKLOP.....	4
5. NASTAVITVE V NAČINU VIDEO.....	5
6. NASTAVITVE V NAČINU FOTOAPARAT.....	5
7. NASTAVITVE KAMERE.....	6
8. WIFI – MOBILNA APLIKACIJA.....	7
9. VODOODPORNOST.....	7
10. VARNOSTNI UKREPI.....	8

## 1. VSEBINA PAKIRANJA



**A** Akcijska kamera LAMAX X7.2

**B** Vodotesno ohišje do 40 m

**C** Kabel Micro USB za polnjenje/prenos datotek

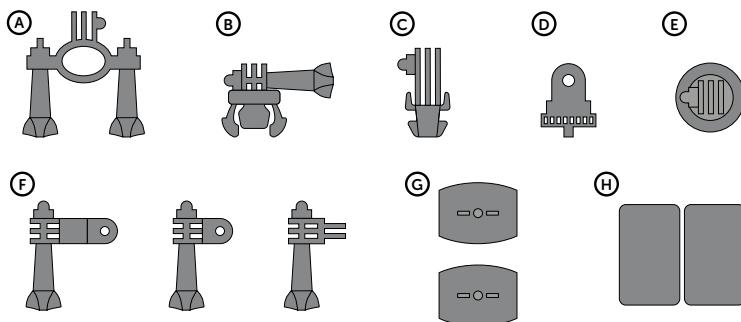
**D** Li-ionska baterija

**E** Krpa iz mikrovlaken

**F** Okvirček

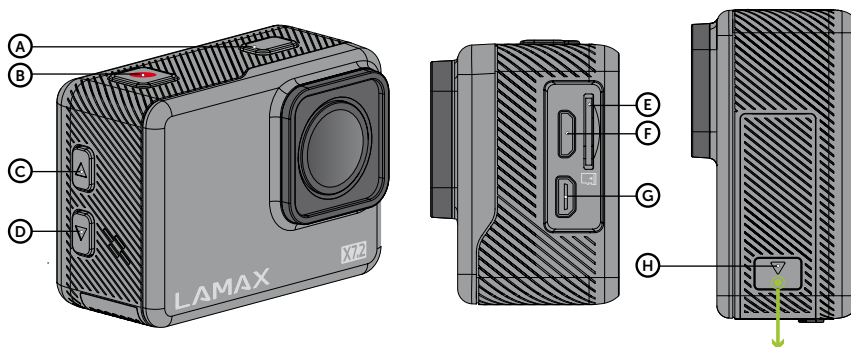
**G** Držala

## DRŽALA



- (A) Držalo za palico – za pritrnitev, na primer, na krmilo
- (B) Fast plug-in – za hitro pričvrstitev držala
- (C) J mount – za hitro pritrnitev z možnostjo dviga
- (D) Reducirni nastavek za stativ – za povezavo kamere brez etuija na dodatke
- (E) Adapter za stativ – za povezavo kamere v etuiju na stativ
- (F) 3-axis connector (3 deli) – za pritrnitev v poljubni smeri
- (G) Samolepilno držalo (2x) – za pritrnitev na gladko površino (čelada, pokrov motorja)
- (H) Nadomestne podložke 3M (2x) – za večkratno lepljenje samolepilnega držala

## 2. SPOZNAVANJE KAMERE



- (A) Gumb POWER/MODE
- (B) Gumb REC/OK
- (C) Gumb GOR
- (D) Gumb DOL
- (E) Reža za pomnilniško kartico
- (F) Vhod Micro USB
- (G) Izhod Video
- (H) Vratca prostora za baterijo

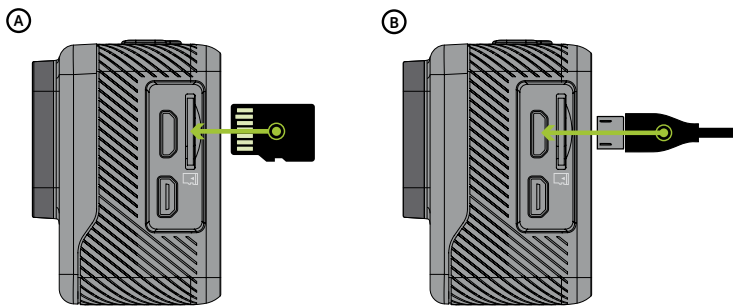
**Opomba:** Uporabljajte samo priporočene dodatke, sicer lahko pride do poškodbe kamere.



### 3. UPRAVLJANJE KAMERE

Vklop in izklop	Pridržanje gumba POWER/MODE
Začetek/konec snemanja	Pritisk na gumb REC/OK
Preklop načina	S pritiskom na gumb POWER/MODE
Vklop/izklop snemanja zvoka	Pritisk na gumb GOR
Hitri meni	Pridržanje gumba REC/OK
Vklop/izklop WiFi	Pritisk na gumb DOL

### 4. PRVI VKLOP



#### A VSTAVITE KARTICO MICROSD V KAMERO, KOT PRIKAZUJE SLIKA (KONEKTORJI V SMERI OBJEKTIVA)

- Kartico vstavljajte samo, ko je kamera izklopljena in ni priključena na računalnik.
- Kartico pri prvi uporabi formatirajte neposredno v kameri.
- Priporočamo pomnilniške kartice z večjo hitrostjo zapisovanja (UHS Speed Class –U3 in višje) in maksimalno velikost 128 GB.

**Opomba:** Uporabljajte le kartice Micro SDHC in SDXC priznanih proizvajalcev. Kartice ostalih proizvajalcev ne zagotavljajo pravilnega delovanja podatkovne shrambe.

#### B PRIKLJUČITE KAMERO NA NAPAJANJE

- Kamero lahko polnite tako s priključitvijo na računalnik kot s pomočjo omrežnega adapterja, ki ga je mogoče dokupiti.
- Pred prvo uporabo baterijo povsem napolnite.
- Polnjenje baterije od 0 do 100 % traja približno 4 ure. Po napolnitvi kazalec polnjenja ugasne.

**Opomba:** Polnjenje baterije od 0 do 80 % traja 2,5 ure.

## 5. NASTAVITVE V NAČINU VIDEO

<b>Ločljivost videa</b>	Nastavitev ločljivosti in FPS (sličic na sekundo) za snemanje kamere.
<b>Stabilizacija slike</b>	Vklop/izklop stabilizatorja MAXsmooth, ki je dostopen v vseh ločljivostih pri do 60 fps. Pri vklopljenem stabilizatorju je kot snemanja (FOV) manjši, pri slabših svetlobnih pogojih pa lahko negativno vpliva na kakovost videa. Ni mogoče kombinirati s funkcijo korekcije ribjega očesa.
<b>Snemanje zvoka</b>	Nastavitev, ali naj kamera snema zvok.
<b>Razšumljanje vetra</b>	Funkcija izboljša posneti zvok pri močnem vetru.
<b>Osvetlitev</b>	Nastavitev kompenzacije osvetlitve. Višja vrednost pomeni svetlejši video, nižja vrednost pa temnejšega.
<b>Merjenje</b>	Nastavitev načina merjenja osvetlitve. Na izbiro sta načina »Sredina« in »Povprečje«. <ul style="list-style-type: none"><li>› <b>Sredina</b> – Ta nastavitev je primerna za snemanje predmetov, ki bodo pretežno na sredini posnetka.</li><li>› <b>Povprečje</b> – V tej nastavitvi kamera pridobi informacije o svetlobi iz cele scene in nastavi povprečne vrednosti.</li></ul>
<b>Datum v videu</b>	Vklaplja/izklaplja vstavev datuma in časa v snemani video.

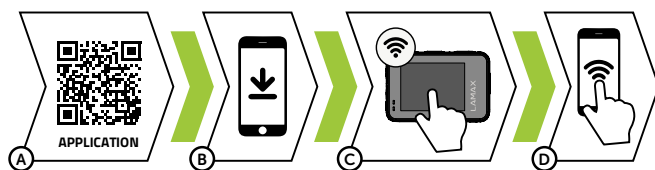
## 6. NASTAVITVE V NAČINU FOTOAPARAT

<b>Ločljivost fotografije</b>	Nastavitev ločljivosti posnetih fotografij.
<b>Kakovost slike</b>	Nastavitev kakovosti fotografije. Nastavitev vpliva tudi na velikost shranjenih datotek.
<b>ISO</b>	Nastavitev vrednosti ISO. Nastavljena vrednost ISO določa občutljivost na svetlobo. Višja vrednost pomeni svetlejši posnetek.
<b>Osvetlitev</b>	Nastavitev kompenzacije osvetlitve. Višja vrednost pomeni svetlejšo fotografijo, nižja vrednost pa temnejšo.
<b>Merjenje</b>	Nastavitev načina merjenja osvetlitve. Na izbiro sta načina »Sredina« in »Povprečje«. <ul style="list-style-type: none"><li>› <b>Sredina</b> – Ta nastavitev je primerna za snemanje objektov, ki bodo pretežno na sredini posnetka.</li><li>› <b>Povprečje</b> – V tej nastavitvi kamera pridobi informacije o svetlobi iz cele scene in nastavi povprečne vrednosti.</li></ul>
<b>Datum</b>	Vklaplja/izklaplja vstavev datuma in časa v ustvarjeno fotografijo.

## 7. NASTAVITVE KAMERE

<b>Frekvenca omrežja</b>	Omogoča izbiro frekvence v skladu s frekvenco omrežne napeljave (v Evropi je v omrežju napeljan tok s frekvenco 50 Hz, v Ameriki in delu Azije pa 60 Hz).
<b>Zvoki</b>	Vklop/izklop sistemskih zvokov kamere in njihova glasnost.
<b>Kot</b>	Nastavitev kota snemanja kamere.
<b>Način potapljanja</b>	Vklop/izklop načina potapljanja. Pri vklopljenem načinu kamera izravna obarvanost posnetkov pod vodo.
<b>Učinek</b>	Nastavitev barvnih načinov.
<b>LDC</b>	Odstranjevanje učinka ribjega očesa.
<b>Vozni način</b>	Vozni način aktivira samodejni vklop snemanja takoj po vklopu kamere.
<b>Mikrofon</b>	Izbira med vgrajenim in zunanjim mikrofonom. Za delovanje zunanjega mikrofona je potrebna njegova priključitev na vhod microUSB.
<b>Zasuk slike</b>	Nastavitev zasuka slike za 180°.
<b>Ohranjevalnik zaslona</b>	Nastavlja čas, po katerem se zaslon samodejno izklopi z namenom varčevanja baterije. Z dotikom na zaslon ali s pritiskom na gumbe se zaslon ponovno aktivira.
<b>Samodejni izklop</b>	Nastavitev samodejnega izklopa kamere ob nedejavnosti. Vklopljena funkcija izklopi kamero, če se ne snema video.
<b>Frekvenca</b>	Omogoča izbiro frekvence v skladu s frekvenco omrežne napeljave (v Evropi je v omrežju napeljan tok s frekvenco 50 Hz, v Ameriki in delu Azije pa 60 Hz).
<b>Nastavitev beline</b>	Nastavitev ravnovesja beline za različne načine osvetlitve scene.
<b>Datum in čas</b>	Nastavitev sistema datuma in časa.
<b>Jezik</b>	Izbira jezika.
<b>Formatiranje kartice</b>	Izbris vseh podatkov na pomnilniški kartici.
<b>Sistem</b>	Omogoča dostop do informacij o strojni programski opremi, do informacij o pomnilniški kartici, mogoče pa je tudi povrniti Tovarniške nastavitve kamere.

## 8. WIFI – MOBILNA APLIKACIJA



S pomočjo mobilne aplikacije boste lahko spreminjali načine in nastavitve kamere ali si ogledovali ter prenašali posnete videe in fotografije neposredno na svoj mobilni telefon.

- A** Optično preberite kodo QR za prenos aplikacije ali kliknite na naslednjo povezavo:  
<https://www.lamax-electronics.com/x72/app/>
- B** Namestite aplikacijo na svojo mobilno napravo.
- C** Vključite WiFi v kameri s pritiskom na gumb DOL.
- D** Na svoji mobilni napravi se povežite v omrežje WiFi z imenom kamere. Geslo za WiFi je prikazano na zaslonu kamere (tovarniško 1234567890).

## 9. VODOODPORNOST

**Opornost pri potopitvi v vodo je izpolnjena ob naslednjih pogojih:**

### AKCIJSKA KAMERA:

Kamera je vodotesna samo, če jo vstavite v vodotesni etui.

### VODOTESNI ETUI:

Etui se lahko potopi do globine 40 metrov. Pred uporabo kamere v etuiju se prepričajte, da ste pravilno zaprli zadnja vratca etuija s pomočjo mehanizma na zgornji strani etuija. Vratca in tesnilo etuija mora biti brez kakršnekoli nečistoče, kot je prah, pesek in podobno. Pri uporabi v slani vodi sperite etui s pitno vodo. Za sušenje ne uporabljajte nobenih tekstilnih materialov ali zunanega vira toplote (sušilnik, mikrovalovna pečica ipd.), etui vedno pustite, da se postopoma posuši sam. V primeru uporabe vodotesnega etuija ni mogoče uporabiti površine na dotik zaslona kamere in je kamero treba upravljati z gumbi.

### DALJINSKI UPRAVLJALNIK:

Ni vodotesen.

## 10. VARNOSTNI UKREPI

**Pred prvo uporabo je uporabnik dolžan prebrati načela varne uporabe izdelka.**

### PREVIDNOSTNI UKREPI IN OPOMBE

- Zaradi lastne varnosti ne spreminjajte nastavitve kamere med vožnjo.
- Za uporabo kamere v avtomobilu jo morate pritrditi na steklo. Namestite kamero na tak način, da ne bo ovirala voznika ali preprečevala odpiranja zračnih blazin.
- Noben predmet ne sme blokirati objektivna kamere, v njegovi bližini pa ne sme biti odsevnega materiala. Objektiv mora biti čist.
- Zatemnjeno vetrobransko steklo avtomobila lahko vpliva na kakovost snemanja.

### VARNOSTNI PREVIDNOSTNI UKREPI

- Polnilnika ne uporabljajte na mestih z visoko vlažnostjo. Ne dotikajte se polnilnika z mokrimi rokami ali ko stojite v vodi.
- Če uporabljate polnilnik za napajanje naprave ali polnjenje baterije, zagotovite ustrezno prezračevanje okolice. Polnilnika ne prekrivajte s papirjem ali drugimi predmeti, da ne omejitte njegovega hlajenja. Polnilnika ne uporabljajte, ko je v torbici.
- Polnilnik priključite le na ustrezen vir napajanja. Zahteve glede napetosti so na ohišju in/ali embalaži izdelka.
- Ne uporabljajte polnilnika s poškodovanim kablom. V primeru poškodb ga ne poskušajte popraviti sami!
- Če se naprava pregreje, jo takoj odklopite iz napajanja.
- Napravo morate polniti pod nadzorom.
- Embalaža vsebuje majhne dele, ki so lahko nevarni za otroke. Izdelek vedno hranite izven dosega otrok. Vrečke, pa tudi številne majhne predmete, ki so v njih, lahko povzročijo zadušitev, če jih otrok pogoltne.


### VARNOSTNI UKREPI PRI UPORABI LI-ION BATERIJE

- Pred prvo uporabo popolnoma napolnite baterijo.
- Za polnjenje uporabljajte samo polnilnik, ki je namenjen temu tipu baterije.
- Uporabite standardne napajalne kable. V nasprotnem primeru lahko napravo poškodujete.
- Nikoli ne priključite baterije na polnilnik, ki je bila mehansko poškodovana ali ima izkrivljeno (izbočeno) površino. Baterije v takšnem stanju se ne sme več uporabljati, ker obstaja nevarnost eksplozije.
- Ne uporabljajte poškodovanega omrežnega vmesnika ali polnilnika.
- Polnjenje mora potekati pri sobni temperaturi. Nikoli ne polnite pri temperaturah nižjih od 0 °C ali nad 40 °C.
- Baterijo zaščitite pred padci, je ne prebodite ali poškodujte na kakršenkoli drug način. Poškodovane baterije ne poskušajte popraviti sami.
- Polnilnika in baterije ne izpostavljajte vlagi, vodi, dežju, snegu ali drugim padavinam.
- Baterije ne puščajte v avtomobilu, ne izpostavljajte jo neposredni sončni svetlobi ali postavljajte blizu virov toplote. Močna svetloba ali visoke temperature lahko poškodujejo baterijo
- Pri polnjenju nikoli ne puščajte baterij brez nadzora. Kratkostično ali prekomerno polnjenje (akumulatorja, ki ni primeren za hitro polnjenje, polnjenje s prekomernim tokom ali če je polnilnik napačen) lahko povzroči puščanje agresivnih kemikalij, eksplozijo in posledično požar!
- Če se baterija med polnjenjem pregreva, takoj odklopite baterijo.
- Polnilnika in akumulatorja ne polagajte pri polnjenju na ali v bližino lahko vnetljivih predmetov. Pazite na zavese, odeje, prte, itd.
- Ko je naprava popolnoma napolnjena, jo iz varnostnih razlogov takoj izključite.
- Baterijo hranite izven dosega otrok in živali.
- Nikoli ne poskušajte razstaviti polnilca ali baterije.
- Če je baterija vgrajena, nikoli ne poskušajte razstaviti naprave, če ni drugače navedeno. Vsak tak poskus vključuje tveganje poškodb na izdelku in posledično izgubo garancije.
- Uporabljenih ali poškodovanih baterij ne vrzite v koš za smeti, ogenj ali grelnike, ampak jih zanesite na zbirališča nevarnih odpadkov.

## VZDRŽEVANJE NAPRAVE

- Vzdrževanje naprave zagotavlja nemoteno delovanje in zmanjša nevarnost poškodb.
- Zaščitite napravo pred preveliko vlago in ekstremnimi temperaturami ter je ne izpostavljajte predolgo neposredni sončni svetlobi ali močni ultravijolični svetlobi.
- Napravo zaščitite pred padci ali močnimi udarci.
- Naprave ne izpostavljajte nenadnim ali velikim temperaturnim spremembam. To lahko povzroči nastanek vlage znotraj naprave in povzroči poškodbe. V primeru kopičenja vlage počakajte z uporabo, dokler se naprava popolnoma ne posuši.
- Površina zaslona se enostavno opraska. Ne dovolite, da bi površina zaslona prišla v stik z ostrimi predmeti.
- Naprave nikoli ne čistite med delovanjem. Za brisanje zaslona in zunanjih delov naprave uporabljajte mehko krpo, ki ne pušča vlaken. Za čiščenje zaslona ne uporabljajte papirnatih brisač.
- Ne poskušajte razstavljati, popravljati ali spremeniti naprave. Razstavljanje, spreminjanje ali poskus popravila lahko povzročijo škodo napravi in izgubo garancije ter celo osebne poškodbe in materialno škodo.
- Ne hranite in ne prenašajte vnetljivih tekočin, plinov ali eksplozivov v prostor za shranjevanje naprave, njegovih delov ali dodatne opreme.
- Da ne bi ustvarili priložnosti za krajno, ne puščajte naprave ali dodatne opreme brez nadzora.
- Pregrevanje lahko poškoduje napravo.
- Pri stiku z zelo klorirano ali morskno vodo kamero in vse rabljene dodatke, splaknite v pitni vodi in jo posušite.
- Za sušenje kamere ne uporabljate zunanjega vira toplote kot sta na primer mikrovalovna pečica ali sušilec za lase.
- Pred plavanjem ali potapljanjem vedno preverite, ali niso odprta vratca predala za baterijo oziroma vratca za napajalne vhode. Če je temu tako, jih zaprite. V nasprotnem primeru kamera ne bo vodoodporna.
- Zaslon na dotik brišite le s krpico, ki je temu namenjena in se izognite praskam.

## OSTALE INFORMACIJE

1) Simbol prečrtanega zabojnika () , ki je nameščen na izdelku ali v priloženi dokumentaciji, pomeni, da po končani uporabi električne ali elektronske naprave ne smete vreči stran skupaj s komunalnimi odpadki. Izdelek mora biti dostavljen na ustrezno zbirno mesto za električno in elektronsko opremo, namenjeno recikliranju. Izdelek bo sprejet brezplačno. S pravilnim odstranjevanjem tega izdelka pomagata ohraniti dragocene naravne vire in preprečiti morebitne negativne vplive na okolje in zdravje ljudi, ki so lahko posledica nepravilnega ravnanja z odpadki. Za več informacij se obrnite na lokalne organe ali na najbližje zbirno mesto. Odlaganje te vrste odpadkov na nepravilen način se kaznuje s kazensko določbo po ustreznih državnih predpisih. Informacije za uporabnike glede odstranjevanja električne in elektronske opreme (kadar se uporabljajo v podjetjih): Podrobne informacije o pravilnem odlaganju električne in elektronske opreme dobite pri vašem prodajalcu ali dobavitelju. Informacije za uporabnike glede odstranjevanja električne in elektronske opreme v državah zunaj Evropske unije: Zgornji simbol (prečrtana posoda) je obvezujoč samo v Evropski uniji. Podrobne informacije o pravilnem odlaganju električne in elektronske opreme lahko dobite pri vašem nadzornem organu ali prodajalcu naprave. Vse je bilo določeno s simbolom prečrtanega zabojnika na izdelku, na embalaži ali v priloženi dokumentaciji.

2) Garancijo naprav uveljavljajte pri prodajalcu. V primeru tehničnih težav ali vprašanj se obrnite na prodajalca, ki vas bo informiral o nadaljnjih postopkih. Upoštevajte navodila za delo z električno opremo in priključite napajalni kabel samo v ustrezne električne vtičnice. Uporabnik ni pooblaščen za odstranitev naprave ali zamenjavo katerega koli dela. Pri odpiranju ali odstranjevanju pokrovov obstaja nevarnost električnega udara. Nepravilno sestavljanje naprave in ponovno sestavljanje lahko povzročijo električni udar.

Garancijski rok je za izdelke 24 mesecev, če ni drugače navedeno. Garancija se ne nanaša na poškodbe povzročene zaradi nepravilne uporabe, mehanskih poškodb, agresivnih pogojev, uporabi, ki ni v skladu z navodili in zaradi tekoče obrabe. Garancijska doba za baterijo je 24 mesecev, za njeno kapaciteto pa šest mesecev. Za več informacij o garanciji obiščite [www.elem6.com/warranty](http://www.elem6.com/warranty)

Proizvajalec, uvoznik in distributer ne nosijo nobene odgovornosti za morebitne škode povzročene zaradi montaže ali nepravilne uporabe izdelka.

## EU IZJAVA O SKLADNOSTI

Družba elem6 s.r.o. s tem izjavlja, da je LAMAX X7.2 skladne z osnovnimi zahtevami in drugimi ustreznimi določbami direktive 2014/30/EU in 2014/53/EU. Izdelki LAMAX so namenjeni za prodajo brez omejitve v Nemčiji, na Češkem, Slovaškem, Poljskem, Madžarskem in v drugih državah članicah EU. Izjavo o skladnosti si lahko prenesete s spleta <https://www.lamax-electronics.com/support/doc/>

- Frekvenčni pas (frekvenčni pasovi), v katerem (v kateri) deluje naprava: 2.41–2.475 GHz
- Najvišja stopnja moči, poslana v frekvenčnem pasu (v frekvenčnih pasovih), v katerem deluje radijska naprava: 6 dB

## PROIZVAJALEC:

elem6 s.r.o., Braškovská 308/158, 161 00 Praha 6  
[www.lamax-electronics.com](http://www.lamax-electronics.com)



**Proizvajalec si pridržuje pravico do sprememb in napak v navodilih.**

# LAMAX

ELECTRONICS

---

## LAMAX X7.2

ACTION CAMERA



---

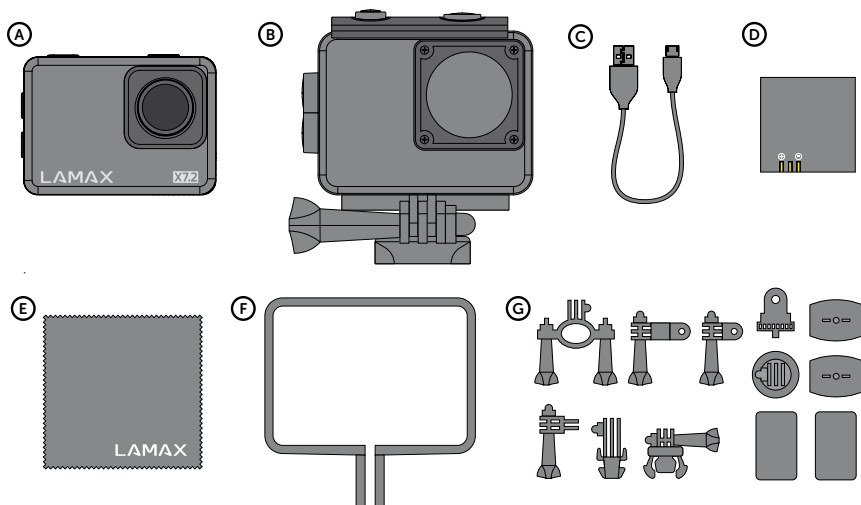
HR – Korisnički priručnik



## SADRŽAJ

1. SADRŽAJ PAKIRANJA.....	2
2. UPOZNAVANJE KAMERE.....	3
3. UPRAVLJANJE KAMEROM .....	4
4. PRVO UKLJUČENJE.....	4
5. POSTAVKE U REŽIMU VIDEO.....	5
6. POSTAVKE U REŽIMU FOTOGRAFIJE .....	5
7. POSTAVKE KAMERE.....	6
8. WIFI – MOBILNA APLIKACIJA .....	7
9. VODONEPROPUSNOST.....	7
10. SIGURNOSNE MJERE.....	8

### 1. SADRŽAJ PAKIRANJA



**A** Akcijska kamera LAMAX X7.2

**B** Vodonepropusno kućište za zaron do dubine od 40 m

**C** Micro USB kabel za punjenje / prijenos datoteka

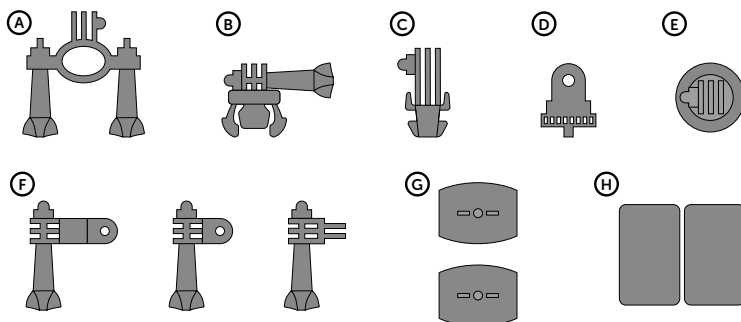
**D** Li-ion baterija

**E** Krpica od mikrofibre

**F** Ram

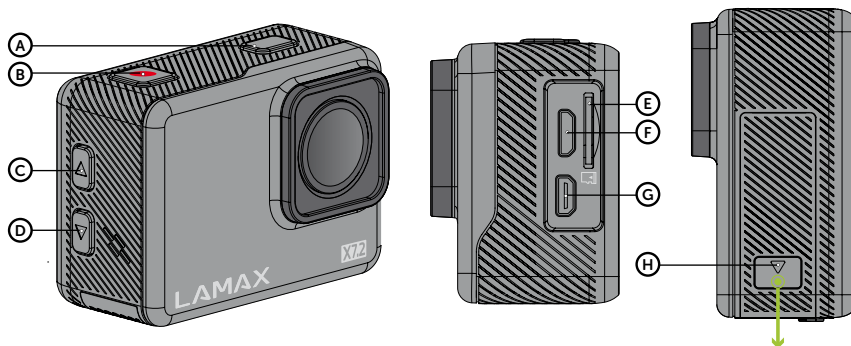
**G** Držači

## DRŽAČI



- A Držač za šipku – za pričvršćivanje npr. na upravljač
- B Fast plug-in – za brzo spajanje na držač
- C J mount – za brzo spajanje s podizanjem
- D Redukcija za stativ – za spajanje kamere bez kućišta na dodatnu opremu
- E Adapter za stativ – za spajanje kamere u kućištu na stativ
- F 3-axis connector (3 dijela) – za pričvršćivanje u bilo kojem smjeru
- G Samoljepljivi držač (2x) – za pričvršćivanje na glatku površinu (kaciga, poklopac motora)
- H Rezervne 3M naljepnice (2x) – za ponovno lijepljenje samoljepljivog držača

## 2. UPOZNAVANJE KAMERE



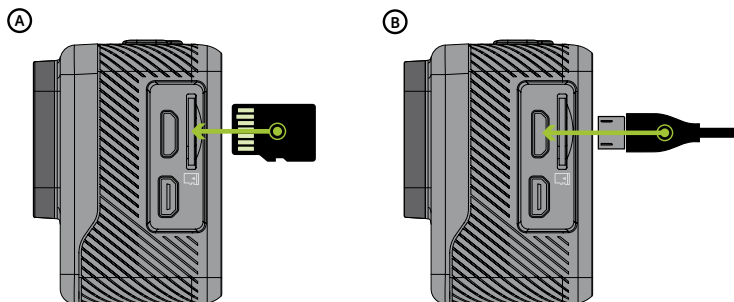
- A Tipka POWER / MODE
- B Tipka REC / OK
- C Tipka GORE
- D Tipka DOLBE
- E Utor za memorijsku karticu
- F Micro USB port
- G Video out
- H Vratašca za bateriju

**Napomena:** Koristite samo preporučenu dodatnu opremu, inače se kamera može oštetiti.

### 3. UPRAVLJANJE KAMEROM

Uključivanje i isključivanje	Držeći pritisnutu tipku POWER / MODE
Pokretanje / zaustavljanje snimanja	Pritiskom na tipku REC / OK
Promjena režima	Pritiskom na tipku POWER / MODE
Uključivanje / isključivanje snimanja zvuka	Pritiskom na tipku GORE
Brzi izbornik	Držeći pritisnutu tipku REC / OK
Uključivanje / isključivanje WiFi funkcije	Pritiskom na tipku DOLJE

### 4. PRVO UKLJUČENJE



#### A UMETNITE MICROSD KARTICU U KAMERU KAKO JE PRIKAZANO NA SLICI (KONEKTORI OKRENUTI PREMA OBJEKTIVU)

- › Umetnite karticu samo kada je kamera isključena i nije spojena na računalno.
- › Kada karticu koristite prvi put, formatirajte je izravno u kameri.
- › Preporučujemo memorijske kartice s višom klasom brzine (UHS Speed Class – U3 i viša) i maksimalnog kapaciteta 128 GB.

**Napomena:** Koristite samo Micro SDHC ili SDXC kartice renomiranih proizvođača. Kartice nepoznatih proizvođača ne jamče ispravno funkcioniranje pohrane podataka.

#### B PRIKLJUČITE KAMERU NA NAPAJANJE

- › Kameru možete puniti tako da je spojite s računalom, kao i pomoću mrežnog adaptera koji se može do kupiti.
- › Prije prve upotrebe potpuno napunite bateriju.
- › Punjenje baterije od 0 do 100% traje otprilike 4 sata. Nakon punjenja, indikator napunjenosti baterije se gasi.

**Napomena:** Punjenje baterije od 0 do 80% traje 2,5 sata.

## 5. POSTAVKE U REŽIMU VIDEO

<b>Rezolucija videa</b>	Postavka rezolucije u kojoj će kamera snimati i fps (frames per second- snimki u sekundi).
<b>Stabilizacija slike</b>	Uključivanje/isključivanje MAXsmooth stabilizacije koja je dostupna u svim rezolucijama pri maksimalno 60 fps. Kod uključene stabilizacije kut snimanja (FOV-field of view) je manji i također može negativno utjecati na kvalitetu videa u uvjetima lošeg osvjetljenja. Ne može se kombinirati s funkcijom korekcije ribljeg oka.
<b>Snimanje zvuka</b>	Postavka snimanja sa zvukom ili bez zvuka.
<b>Redukcija šuma vjetra</b>	Funkcija će poboljšati snimljeni zvuk pri jakom vjetru.
<b>Ekspozicija</b>	Postavka kompenzacije ekspozicije. Viša vrijednost znači svjetliji video, niža vrijednost tamniji video.
<b>Mjerenje ekspozicije</b>	Postavka načina mjerenja ekspozicije. Možete birati između dva režima „Središte“ i „Prosjek“. <ul style="list-style-type: none"><li>➤ <b>Središte</b> – Ova postavka je prikladna za snimanje objekata koji će se uglavnom nalaziti u središtu snimke.</li><li>➤ <b>Prosjek</b> – U ovoj postavci kamera dobiva informacije o osvjetljenju iz cijele scene i postavi prosječne vrijednosti.</li></ul>
<b>Datum na videu</b>	Uključuje/isključuje umetanje datuma i vremena u snimljeni video.

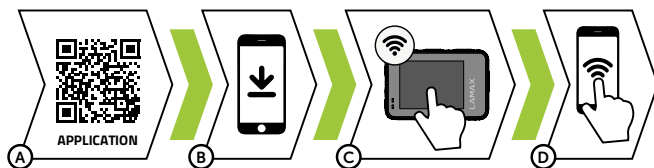
## 6. POSTAVKE U REŽIMU FOTOGRAFIJE

<b>Rezolucija fotografija</b>	Postavke rezolucije snimljenih fotografija.
<b>Kvaliteta slike</b>	Postavke kvalitete fotografije. Konačne postavke utjecat će i na veličinu spremljenih datoteka.
<b>ISO</b>	Postavka vrijednosti ISO. Postavljena vrijednost ISO određuje osjetljivost na svjetlo. Što je viša vrijednost, to je fotografija svjetlija.
<b>Ekspozicija</b>	Postavka kompenzacije ekspozicije. Viša vrijednost znači svjetliju fotografiju, niža vrijednost tamniju fotografiju.
<b>Mjerenje ekspozicije</b>	Postavka načina mjerenja ekspozicije. Možete birati između dva režima „Središte“ i „Prosjek“. <ul style="list-style-type: none"><li>➤ <b>Središte</b> – Ova postavka je prikladna za snimanje objekata koji će se uglavnom nalaziti u središtu snimke.</li><li>➤ <b>Prosjek</b> – U ovoj postavci kamera dobiva informacije o osvjetljenju iz cijele scene i postavi prosječne vrijednosti.</li></ul>
<b>Datum</b>	Uključuje/isključuje umetanje datuma i vremena u snimljenu fotografiju.

## 7. POSTAVKE KAMERE

<b>Frekvencija mreže</b>	Omogućuje odabir frekvencije u skladu s frekvencijom mreže (u Europi struja u mreži ima frekvenciju 50Hz, u Americi i dijelu Azije je to 60Hz).
<b>Zvukovi</b>	Uključivanje/isključivanje zvukova sustava kamere i njihova glasnoća.
<b>Kut</b>	Postavka kuta snimanja kamere.
<b>Režim ronjenja</b>	Uključivanje/isključivanje režima ronjenja. Pri uključenom režimu kamera ujednačava boje podvodnih snimaka.
<b>Efekt</b>	Postavke režima boje.
<b>LDC (Lens distortion correction)</b>	Redukcija ribljeg oka.
<b>Režim vožnje</b>	Režim vožnje aktivira automatsko snimanje odmah nakon uključivanja kamere.
<b>Mikrofon</b>	Odabir između ugrađenog i eksternog mikrofona. Za funkcioniranje eksternog mikrofona treba ga priključiti u micro USB port.
<b>Rotacija slike</b>	Postavka rotacije slike za 180°.
<b>Čuvar zaslona</b>	Postavka vremena nakon kojega će se zaslon automatski isključiti radi štednje baterije. Dodirom zaslona ili pritiskom na tipku zaslon se ponovno aktivira.
<b>Automatsko isključivanje</b>	Postavka automatskog isključenja kamere tijekom neaktivnosti. Uključena funkcija isključuje kameru kada ne snima video.
<b>Frekvencija</b>	Omogućuje odabir frekvencije u skladu s frekvencijom mreže (u Europi struja u mreži ima frekvenciju 50Hz, u Americi i dijelu Azije je to 60Hz).
<b>Balans bijele boje</b>	Postavka balansa bijele boje za različite načine osvjetljenja scene.
<b>Datum i vrijeme</b>	Postavka datuma i vremena sustava.
<b>Jezik</b>	Odabir jezika.
<b>Formatiranje kartice</b>	Brisanje svih podataka s memorijske kartice.
<b>Sustav</b>	Omogućuje pristup informacijama o firmwareu kamere, o memorijskoj kartici, a također može vratiti kameru na tvorničke postavke.

## 8. WIFI – MOBILNA APLIKACIJA



Zahvaljujući mobilnoj aplikaciji, moći ćete mijenjati režime i postavke kamere ili pregledavati i preuzimati snimljena videa i fotografije izravno na vaš mobilni uređaj.

- A** Skenirajte QR kôd za instaliranje aplikacije ili kliknite na sljedeću poveznicu:  
<https://www.lamax-electronics.com/x72/app/>
- B** Instalirajte aplikaciju na svoj mobilni uređaj.
- C** Uključite WiFi u kameri pritiskom na tipku DOLJE.
- D** Povežite se na svom mobilnom uređaju na WiFi mrežu s nazivom kamere. Lozinka za WiFi prikazana je na zaslonu kamere (tvornički: 1234567890).

## 9. VODONEPROPUSNOST

**Opornost na uranjanje u vodu ispunjena je pod sljedećim uvjetima:**

### AKCIJSKA KAMERA:

Kamera je vodonepropusna samo ako je umetnuta u vodonepropusno kućište.

### VODONEPROPUSNO KUĆIŠTE:

Vodonepropusno kućište može izdržati uranjanje do dubine od 40 metara. Prije korištenja kamere u kućištu, provjerite jesu li stražnja vratašca na kućištu pravilno zatvorena pomoću mehanizma na gornjoj strani kućišta. Vratašca i brtva moraju biti bez ikakvih nečistoća, kao što su prašina, pijesak i sl. U slučaju korištenja u moru, kućište isperite pitkom vodom. Za sušenje ne koristite nikakve tekstilne materijale ili vanjske izvore topline (fen, mikrovalna pećnica i sl.), kućište uvijek ostavite da se polagano suši. Kada koristite vodonepropusno kućište, nije moguće koristiti dodirnu površinu zaslona i potrebno je upravljati kamerom pomoću tipki.

### DALJINSKI UPRAVLJAČ:

Nije vodonepropusan.

## 10. SIGURNOSNE MJERE

**Prije prve upotrebe korisnik je dužan upoznati se s pravilima sigurnog korištenja proizvoda.**

### MJERE OPREZA I NAPOMENE

- Radi svoje sigurnosti ne mijenjajte postavke kamere tijekom vožnje.
- Za korištenje kamere u automobilu morate imati držač koji se pričvršćuje za vjetrobran. Kameru pričvrstite na mjestu na kojem vozaču ne ometa vidljivost niti je prepreka za eventualno otvaranje zračnih jastuka.
- Nikakav predmet ne smije blokirati objektiv kamere, a blizu njega ne smiju se nalaziti materijali koji odbijaju svjetlost. Održavajte objektiv čistim.
- Zatamnjeni vjetrobran može utjecati na kvalitetu snimke.

### MJERE OPREZA POVEZANE SA SIGURNOŠĆU

- Ne koristite punjač na mjestima s visokom vlagom. Ne dirajte punjač mokrim rukama ili kada stojite u vodi.
- Ako koristite punjač za napajanje uređaja ili punjenje baterija, osigurajte pravilno provjetravanje prostorije. Ne pokrivajte punjač papirom niti drug-gim predmetima da ne ometate njegovo hlađenje. Ne koristite punjač ako se nalazi u torbi na prenošenje.
- Punjač priključujte samo na prikladni izvor napajanja. Zahtjevi povezani s naponom nalaze se na kućištu i/ili ambalaži proizvoda.
- Ne koristite punjač s oštećenim kabelom. U slučaju oštećenja nemojte sami vršiti popravke!
- U slučaju prekomjernog zagrijavanja uređaja, odmah ga isključite iz napajanja.
- Uređaj se mora puniti pod nadzorom.
- Ambalaža sadrži sitne elemente koji mogu biti opasni za djecu. Proizvod uvijek držite izvan dohvata djece. Torbice i brojni sitni elementi koji se u njima nalaze mogu izazvati gušenje, ako se progutaju.


### MJERE OPREZA ZA KORIŠTENJE LI-ION BATERIJE

- Prije prve upotrebe u potpunosti napunite bateriju.
- Za punjenje koristite samo punjač koji je namijenjen za danu vrstu baterije.
- Koristite standardne kabele za napajanje. U suprotnom se uređaj može oštetiti.
- Nikad nemojte priključivati na punjač bateriju koja je mehanički oštećena ili ima deformiranu (ispupčenu) površinu. Baterija se u takvom stanju više ne smije koristiti jer može eksplodirati.
- Ne koristite nikakve mrežne adaptere niti punjače koji su oštećeni.
- Punjenje se mora odvijati na sobnoj temperaturi. Nikad ne puniti na temperaturi nižoj od 0 °C ili višoj od 40 °C.
- Čuvajte bateriju od pada, nemojte ju bušiti niti oštećivati na bilo koji drugi način. Nemojte samostalno popravljati oštećenu bateriju.
- Ne izlažite punjač niti bateriju djelovanju vlage, vode, kiše, snijega ili drugih padalina.
- Ne ostavljajte bateriju u automobilu, ne izlažite je sunčevoj svjetlosti i ne stavljajte je blizu izvora topline. Jako svjetlo ili visoke temperature mogu oštetiti bateriju.
- Tijekom punjenja ne ostavljajte baterije bez nadzora. Kratki spoj ili prepunjenost (baterije koja nije prikladna za brzo punjenje, koja se puni strujom prevelike jakosti ili u slučaju kvara punjača) može izazvati curenje agresivnih kemikalija, eksploziju i zbog toga može doći do požara!
- Ako se baterija tijekom punjenja prekomjerno zagrije, odmah je isključite iz punjenja.
- Punjač i napajanu bateriju tijekom punjenja ne stavljate na lakozapaljive predmete ili blizu njih. Pazite na zavjese, tepihe, stolnjake i sl.
- Zbog sigurnosnih razloga isključite uređaj iz punjača, ako je u potpunosti napunjen.
- Bateriju držite izvan dohvata djece i životinja.
- Nikad ne rastavljajte punjač ni bateriju.
- Ako je baterija ugrađena, nikad ne rastavljajte uređaj, osim ako nije drugačije određeno. Takvi pokušaji mogu uzrokovati oštećenje proizvoda, a onda i gubitak jamstva.
- Ne bacajte istrošene ili oštećene baterije u koš za smeće, vatru ili uređaje za grijanje, već ih odnesite na mjesto za sakupljanje opasnog otpada.

## ODRŽAVANJE UREĐAJA

- Održavanje osigurava neometan rad uređaja i smanjuje rizik od oštećenja.
- Čuvajte uređaj od prekomjerne vlage i ekstremnih temperatura te izbjegavajte predugo izlaganje neposrednom djelovanju sunčevog ili ultraljubičastog zračenja.
- Pazite da uređaj ne padne i zaštitite ga od jakog udara.
- Ne izlažite uređaj djelovanju naglih ili velikih promjena temperature. To može dovesti do nakupljanja vlage unutar uređaja, a onda i dovesti do njegovog oštećenja. U slučaju nakupljanja vlage, prije korištenja pričekajte dok se uređaj u potpunosti ne osuši.
- Površina zaslona može se lako ogrepsi. Ne dozvolite da površinu zaslona dotiču oštri predmeti.
- Nikad nemojte čistiti uključeni uređaj. Za brisanje zaslona i vanjskih dijelova uređaja koristite mekanu krpicu koja ne ostavlja vlakna. Za čišćenje zaslona ne koristite papirnate ručnike.
- Nemojte demontirati, popravljati ili modificirati uređaj. Demontaža, modifikacije ili pokušaji samostalnog popravka mogu oštetiti uređaj i dovesti do gubitka jamstva, a mogu čak izazvati i oštećenja na tijelu i imovini.
- Ne skladištite niti ne prenosite lakozapaljive tekućine, plinove i eksplozivne materijale na mjestu gdje se nalazi uređaj, njegovi dijelovi ili pribor.
- Da biste izbjegli krađu, ne ostavljajte bez nadzora uređaj i njegov pribor na uočljivom mjestu u automobilu.
- Pregrijavanje može oštetiti uređaj.
- U dodiru s jako kloriranom ili morskom vodom, kameru i sav rabljeni pribor, isperite u pitkoj vodi i osušite je.
- Kameru ne sušite vanjskim izvorom topline kao što je, primjerice, mikrovalna pećnica ili sušilo za kosu.
- Prije plivanja ili ronjenja, uvijek provjerite da li je zatvoren poklopac (vratašca) prostora za baterije ili vratašca otvora za napajanje. Ako jesu, zatvorite ih. U suprotnom kamera gubi funkciju otpornosti na vodu.
- Zaslom osjetljiv na dodir možete brisati samo tkaninom kako biste izbjegli ogrebotine.

## OSTALE INFORMACIJE

1) Simbol precrtanog kontejnera () koji se nalazi na proizvodu ili u popratnoj dokumentaciji označava da se nakon završetka korištenja električni ili elektronički uređaj ne smije baciti u komunalni otpad. Proizvod treba odnijeti na mjesto za prikupljanje električnih i elektroničkih uređaja namijenjenih za reciklažu da bi se pravilno zbrinuo. Na mjestu prikupljanja proizvod će se besplatno preuzeti. Pravilnim zbrinjavanjem ovog proizvoda pomažete u očuvanju dragocjenih prirodnih resursa i sprečavate mogući negativni utjecaj na okoliš i ljudsko zdravlje zbog nepravilnog zbrinjavanja otpada. Za više informacija molimo kontaktirajte lokalne vlasti ili najbliže mjesto za sakupljanja otpada. Za nepravilno bacanje otpada te vrste predviđena je kazna određena u važećim nacionalnim propisima. Informacije za korisnike povezane sa zbrinjavanjem električnih i elektroničkih uređaja (u slučaju korištenja u poduzećima i tvrtkama): Detaljne informacije o pravilnom zbrinjavanju električnih i elektroničkih uređaja možete dobiti kod svojeg prodavača ili dobavljača. Informacije za korisnike povezane sa zbrinjavanjem električnih i elektroničkih uređaja u zemljama izvan Europske unije: Gornji simbol (precrtani kontejner) vrijedi samo u Europskoj uniji. Detaljne informacije o pravilnom zbrinjavanju električnih i elektroničkih uređaja možete dobiti u svojem uredu ili kod prodavača uređaja. Sve je određeno simbolom precrtanog kontejnera na proizvodu, ambalaži ili u popratnoj dokumentaciji.

2) Jamstvene zahtjeve u svezi s uređajem prijavite na mjestu njegove kupnje. U slučaju tehničkih problema ili pitanja kontaktirajte prodavača koji će vas informirati o daljnjem postupku. Pridržavajte se načela o rukovanju električnim uređajima, a kabel za napajanje priključujte samo u adekvatne električne utičnice. Korisnik nije ovlašten za demontažu uređaja ili izmjenu njegovih dijelova. Otvaranje ili uklanjanje zaštita stvara opasnost od strujnog udara. Nepravilna montaža uređaja i njegovo ponovno spajanje može izazvati strujni udar.

Jamstveni rok za proizvode je 24 mjeseca, ako nije drukčije određen. Jamstvo se ne odnosi na oštećenja koja nastanu nestandardnom upotrebom, mehaničkim oštećenjem, izlaganjem agresivnim uvjetima, postupanjem protivno uputama i standardnim habanjem. Jamstveni rok za bateriju je 24 mjeseca, a za njezin kapacitet 6 mjeseci. Za više informacija o jamstvu posjetite [www.elem6.com/warranty](http://www.elem6.com/warranty)

Proizvođač, uvoznik i distributer ne snose nikakvu odgovornost za bilo kakve štete koje nastanu montažom ili neispravnom upotrebom proizvoda.



## EU IZJAVA O SUKLADNOSTI

Društvo elem6 s.r.o. ovim izjavljuje da je LAMAX X7.2 u skladu s temeljnim zahtjevima i drugim odgovarajućim odredbama Direktive 2014/30/EU i 2014/53/EU. Proizvodi LAMAX su namijenjeni za prodaju bez ograničenja u Njemačkoj, Češkoj, Slovačkoj, Poljskoj, Mađarskoj i drugim državama članicama EU. Izjava o sukladnosti može se preuzeti na stranici <https://www.lamax-electronics.com/support/doc/>

- Frekvencijsko područje (frekvencijska područja) u kojem (u kojim) radi uređaj: 2.41 – 2.475 GHz
- Maksimalna razina snage koja se šalje u frekvencijskom području (u frekvencijskim područjima), u kojem (u kojim) radijski radi uređaj: 6 dB

### PROIZVOĐAČ:

elem6 s.r.o., Braškovská 308/158, 161 00 Praha 6  
[www.lamax-electronics.com](http://www.lamax-electronics.com)



**Zadržane su greške u tiskanoj verziji ili izmjene u uputama za upotrebu.**